



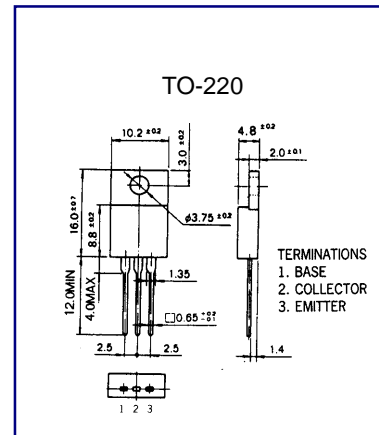
2SD1128

NPN SILICON DARLINGTON TRANSISTOR

**SWITCHING REGULATORS PWM INVERTERS
SOLENOID AND RELAY DRIVERS**

ABSOLUTE MAXIMUM RATINGS (T_A=25°C)

Characteristic	Symbol	Rating	Unit
Collector-Base Voltage	V _{CB0}	150	V
Collector-Emitter Voltage	V _{CEO}	100	V
Collector Current (DC)	I _C	5	A
Collector Dissipation (T _c =25°C)	P _C	30	W
Junction Temperature	T _j	150	°C
Storage Temperature	T _{stg}	-50~150	°C



ELECTRICAL CHARACTERISTICS (T_A=25°C)

Characteristic	Symbol	Test Condition	Min	Typ	Max	Unit
Collector Cutoff Current	I _{CBO}	V _{CB} = 150V , I _E =0			10	μA
Collector Cutoff Current	I _{CEO}	V _{CB} = 150V , I _B =0			10	μA
DC Current Gain	h _{FE}	V _{CE} = 4V , I _C =1.0A	5000			
Collector- Emitter Saturation Voltage	V _{CE(sat)}	I _C =0.5A , I _B =0.001A			1.5	V

This datasheet has been download from:

www.datasheetcatalog.com

Datasheets for electronics components.