



MEAN WELL

SWITCHING POWER SUPPLY
ISO-9001 CERTIFIED MANUFACTURER

S-240 SERIES

- . LOW COST, HIGH RELIABILITY
- . COOLING FAN ON/OFF AUTOMATICALLY
- . INTERNATIONAL AC INPUT RANGE
- . HIGH EFFICIENCY, LOW WORKING TEMPERATURE
- . SOFT-START CIRCUIT, LIMITING AC SURGE CURRENT
- . SHORT CIRCUIT, OVERLOAD, OVER VOLTAGE, OVER TEMP. PROTECTED
- . COMPACT SIZE, LIGHT WEIGHT
- . 100% FULL LOAD BURN-IN TEST
- . BUILT IN EMI FILTER, LOW RIPPLE NOISE
- . 105°C OUTPUT CAPACITOR

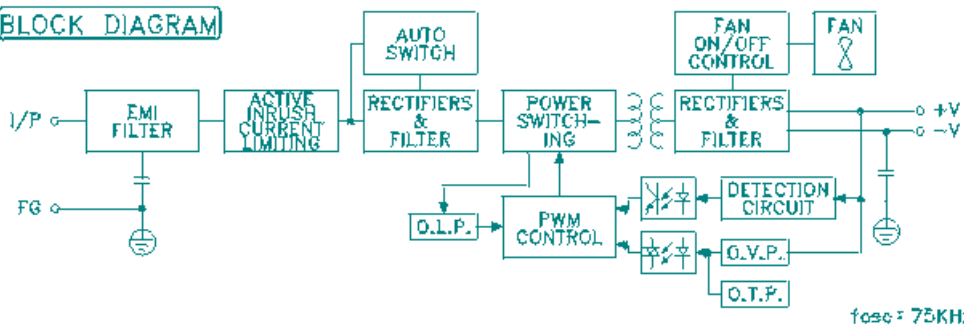


MODEL	S-240-5	S-240-12	S-240-15	S-240-24	S-240-30	S-240-48	S-240-7.5
DC OUTPUT VOLTAGE	5V	12V	15V	24V	30V	48V	7.5V
OUTPUT V. TOLERANCE	±2%	±1%	±1%	±1%	±1%	±1%	±2%
OUTPUT RATED CURRENT	40A	18A	15A	10A	8A	5A	30A
OUTPUT CURRENT RANGE	0-40A	0-18A	0-15A	0-10A	0-8A	0-5A	0-30A
RIPPLE & NOISE	150mVp-p	150mVp-p	150mVp-p	180mVp-p	180mVp-p	240mVp-p	200mVp-p
LINE REGULATION	±0.5%	±0.5%	±0.5%	±0.5%	±0.5%	±1%	±0.5%
LOAD REGULATION	±1%	±0.5%	±0.5%	±0.5%	±0.5%	±1%	±1%
DC OUTPUT POWER	200W	216W	225W	240W	240W	240W	225W
EFFICIENCY	78%	82%	83%	84%	85%	87%	80%
DC VOLTAGE ADJ.	4.5-5.8V	10-14V	12-18V	20-28V	27-33V	41-56V	6-9V
INPUT VOLTAGE RANGE	88~132VAC / 176~264VAC AUTO SWITCH 47~63Hz: 248~370VDC						
AC CURRENT	5A/115V 2.5A/230V						
INRUSH CURRENT	18A/115V 36A/230V						
LEAKAGE CURRENT	<1.2mA/240VAC						
OVERLOAD PROTECTION	105~135% TYPE:PULSING HICCUP SHUTDOWN RESET:AUTO RECOVERY						
OVER VOLTAGE PROTECTION	6~7V	14.4~16.8V	18.5~21.5V	31.2~36V	34.5~40.5V	57.6~67.2V	9.4~10.9V
FAN CONTROL, O.T.P.	RT1>=40°C FAN ON, <=35°C FAN OFF, >=70°C OUTPUT SHUTDOWN						
TEMP. COEFFICIENT	±0.03% / °C (0~50°C)						
SETUP, RISE, HOLD UP TIME	1s, 20ms, 20ms						
VIBRATION	10~500Hz, 2G 10min./1cycle, PERIOD FOR 60min. EACH AXES						
WITHSTAND VOLTAGE	I/P-O/P:3KVAC I/P-FG:1.5KVAC O/P-FG:0.5KVAC						
ISOLATION RESISTANCE	I/P-O/P, I/P-FG, O/P-FG:500VDC / 100M Ohms						
WORKING TEMP., HUMIDITY	-10°C~+60°C(REFER TO OUTPUT DERATING CURVE), 20%~90% RH						
STORAGE TEMP., HUMIDITY	-20°C~+85°C, 10%~95% RH						
DIMENSION	190*93*65mm CASE:911						
WEIGHT	1.1Kgs						
SAFETY STANDARDS	UL1950, TUV EN60950 (IEC950, UL1950) APPROVED					MEET	
EMC STANDARDS	CISPR22 (EN55022), IEC801-2,3,4, IEC555-2 VERIFICATION					-----	

- NOTE :
1. ALL PARAMETERS ARE SPECIFIED AT 230VAC INPUT, RATED LOAD, 25°C 70% RH. AMBIENT.
 2. TOLERANCE INCLUDE SET UP TOLERANCE, LINE REGULATION, LOAD REGULATION.
 3. RIPPLE & NOISE ARE MEASURED AT 20MHZ BY USING A 12" TWISTED PAIR TERMINATED WITH A 0.1uF & 47uF CAPACITOR.
 4. LINE REGULATION IS MEASURED FROM LOW LINE TO HIGH LINE AT RATED LOAD.
 5. LOAD REGULATION IS MEASURED FROM 0% TO 100% RATED LOAD.
 6. C3,4,41 MUST BE REMOVED.

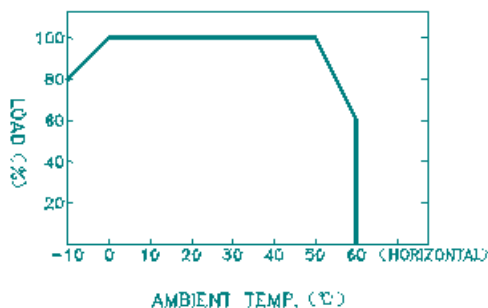
S-240 SERIES

BLOCK DIAGRAM

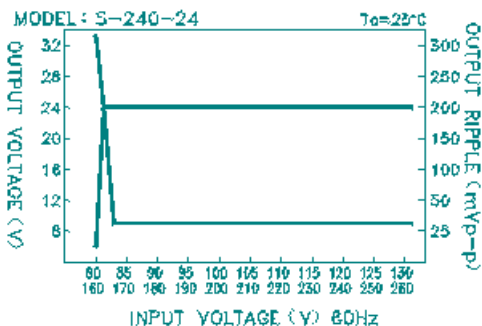


fosc = 75KHz

OUTPUT DERATING



STATIC CHARACTERISTICS



DIMENSION (mm)

- ☒ CASE : 911
- ☒ TERMINAL PIN NO. ASSIGNMENT
- ☒ PIN 1,2 : AC INPUT
- ☒ PIN 3 : FG \oplus
- ☒ PIN 4,5 : DC OUTPUT -V
- ☒ PIN 6,7 : DC OUTPUT +V

