

Low Power Audio Amplifier

The 34119 is a low power audio amplifier integrated circuit intended for telephone applications, such as in speakerphones. It provides differential speaker outputs to maximize output swing at low supply voltages (2.0 V minimum). Coupling capacitors to the speaker are not required. Open loop gain is 80 dB, and the closed loop gain is set with two external resistors. A Chip Disable pin permits powering down and/or muting the input signal.

Features

- Wide Operating Supply Voltage Range (2.0 V to 16 V), Allows Telephone Line Powered Applications
- Low Quiescent Supply Current (2.7 mA Typ) for Battery Powered Applications
- Chip Disable Input to Power Down the IC
- Low Power--Down Quiescent Current (65 μ A Typ)
- Drives a Wide Range of Speaker Loads (8.0 Ω and Up)
- Output Power Exceeds 250 mW with 32 Ω Speaker
- Low Total Harmonic Distortion (0.5% Typ)
- Gain Adjustable from <0 dB to >46 dB for Voice Band
- Requires Few External Components
- Pb-Free Packaging Designated by Suffix Code EF

34119

LOW POWER AUDIO AMPLIFIER



**D SUFFIX
 EF SUFFIX (PB-FREE)
 98ASB42564B
 8-PIN SOICN**

ORDERING INFORMATION		
Device	Temperature Range (T _A)	Package
MC34119D/R2	-20°C to 70°C	8 SOICN
MCZ34119EF/R2		

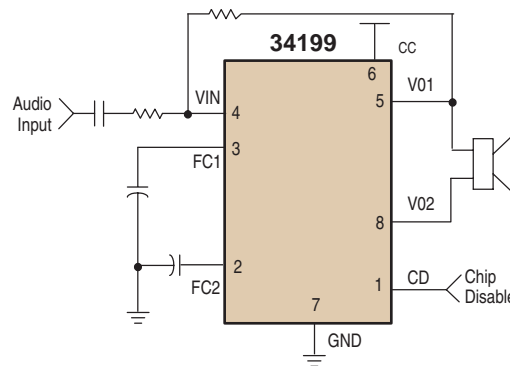


Figure 1. 34119 Simplified Application Diagram

INTERNAL BLOCK DIAGRAM

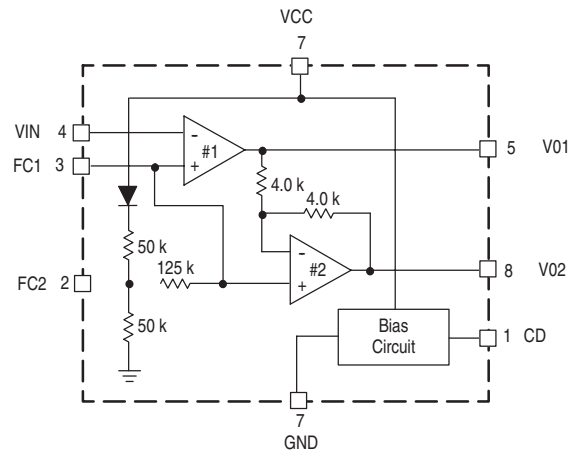


Figure 2. 34119 Simplified Internal Block Diagram

PIN CONNECTIONS

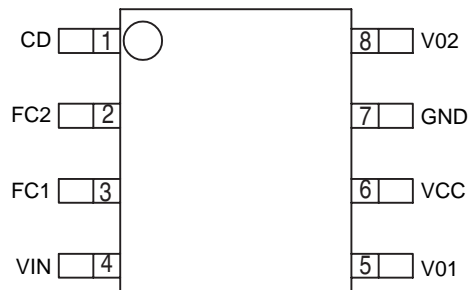


Figure 3. 34119 Pin Connections

Table 1. 34119 Pin Definitions

Pin Number	Pin Name	Definition
1	CD	Chip Disable -- Digital input. A Logic "0" (<0.8 V) sets normal operation. A logic "1" (≥ 2.0 V) sets the power down mode. Input impedance is nominally 90 k Ω .
2	FC2	A capacitor at this pin increases power supply rejection, and affects turn--on time. This pin can be left open if the capacitor at FC1 is sufficient.
3	FC1	Analog ground for the amplifiers. A 1.0 μ F capacitor at this pin (with a 5.0 μ F capacitor at Pin 2) provides (typically) 52 dB of power supply rejection. Turn--on time of the circuit is affected by the capacitor on this pin. This pin can be used as an alternate input.
4	VIN	Amplifier input. The input capacitor and resistor set low frequency rolloff and input impedance. The feedback resistor is connected to this pin and VO1.
5	V01	Amplifier Output #1. The dc level is $\approx (VCC - 0.7 V)/2$.
6	VCC	DC supply voltage (+2.0 V to +16 V) is applied to this pin.
7	GND	Ground pin for the entire circuit.
8	V02	Amplifier Output #2. This signal is equal in amplitude, but 180° out--of--phase with that at VO1. The dc level is $\approx (VCC -- 0.7 V)/2$.

ELECTRICAL CHARACTERISTICS

MAXIMUM RATINGS

Table 2. Maximum Ratings

All voltages are with respect to ground unless otherwise noted. Exceeding these ratings may cause a malfunction or permanent damage to the device.

Ratings	Symbol	Min	Max	Unit
ELECTRICAL RATINGS				
Supply Voltage	V_{CC}	2.0	16	V_{DC}
Voltage @ CD (Pin 1)	V_{CD}	0.0	V_{CC}	V_{DC}
Load Impedance (at V_{IN})	R_L	8.0	-	Ω
Peak Load Current	IL	-	± 200	mA
Differential Gain (5.0 kHz Bandwidth)	AVD	0.0	46	dB
THERMAL RATINGS				
Ambient Temperature	TA	-20	70	$^{\circ}\text{C}$
THERMAL RESISTANCE				
Peak Package Reflow Temperature During Reflow ^{(1), (2)}	T_{PPRT}		Note 2	$^{\circ}\text{C}$

Notes

- Pin soldering temperature limit is for 10 seconds maximum duration. Not designed for immersion soldering. Exceeding these limits may cause malfunction or permanent damage to the device.
- Freescale's Package Reflow capability meets Pb-free requirements for JEDEC standard J-STD-020C. For Peak Package Reflow Temperature and Moisture Sensitivity Levels (MSL), Go to www.freescale.com, search by part number [e.g. remove prefixes/suffixes and enter the core ID to view all orderable parts. (i.e. MC33xxxD enter 33xxx)], and review parametrics.

STATIC ELECTRICAL CHARACTERISTICS

Table 3. Static Electrical Characteristics

Characteristics noted under conditions $-1.0\text{ V} \leq V_{CC} \leq 18\text{ V}$, $-20^\circ\text{C} \leq T_A \leq 70^\circ\text{C}$, $\text{GND} = 0\text{ V}$ unless otherwise noted. Typical values noted reflect the approximate parameter means at $T_A = 25^\circ\text{C}$ under nominal conditions unless otherwise noted.

Characteristic	Symbol	Min	Typ	Max	Unit
AMPLIFIERS					
Output DC Level @ VO1, VO2, VCC = 3.0 V, RL = 16 (RF = 75 k) VCC = 6.0 V VCC = 12 V	VO(3) VO(6) VO(12)	1.0 - -	1.15 2.65 5.65	1.25 - -	V
Output Level High (IOUT = -75 mA, 2.0 V ≤ VCC ≤ 16 V) Low (IOUT = 75 mA, 2.0 V ≤ VCC ≤ 16 V)	VOH VOL	- -	VCC - 1.0 0.16	- -	V
Output DC Offset Voltage (VO1 - VO2) (VCC = 6.0 V, RF = 75 kΩ, RL = 32Ω)	ΔVO	-30	0.0	30	mV
Input Bias Current @ VIN (VCC = 6.0 V)	IIB	-	-100	-200	nA
Equivalent Resistance @ FC1 (VCC = 6.0 V) @ FC2 (VCC = 6.0 V)	RFC1 RFC2	100 18	150 25	220 40	kΩ
CHIP DISABLE					
Input Voltage Low High	VIL VIH	- 2.0	- -	0.8 -	V
Input Resistance (VCC = VCD = 16 V)	RCD	50	90	175	kΩ
POWER SUPPLY					
Power Supply Current (VCC = 3.0 V, RL = ∞, CD = 0.8 V) (VCC = 16 V, RL = ∞, CD = 0.8 V) (VCC = 3.0 V, RL = ∞, CD = 2.0 V)	ICC3 ICC16 ICCD	- - -	2.7 3.3 65	4.0 5.0 100	mA mA μA
TYPICAL TEMPERATURE PERFORMANCE (-20°C < TA < 70°C)					
Input Bias Current @ VIN	IIN	-	±40	-	pA/°C
Total Harmonic Distortion (VCC = 6.0 V, RL = 32Ω, POUT = 125 mW, f = 1.0 kHz)	THD	-	±0.003	-	%/°C
Power Supply Current (VCC = 3.0 V, RL = ∞, CD = 0 V) (VCC = 3.0 V, RL = ∞, CD = 2.0 V)	ICC	- -	-2.5 -0.03	- -	μA/°C

DYNAMIC ELECTRICAL CHARACTERISTICS

Table 4. Dynamic Electrical Characteristics

Characteristics noted under conditions $-1.0\text{ V} \leq V_{CC} \leq 18\text{ V}$, $-20^\circ\text{C} \leq T_A \leq 70^\circ\text{C}$, $\text{GND} = 0\text{ V}$ unless otherwise noted. Typical values noted reflect the approximate parameter means at $T_A = 25^\circ\text{C}$ under nominal conditions unless otherwise noted.

Characteristic	Symbol	Min	Typ	Max	Unit
AMPLIFIERS					
AC Input Resistance (@ V_{IN})	R_I	-	> 30	-	$M\Omega$
Open Loop Gain (Amplifier #1, $f < 100\text{ Hz}$)	A_{VOL1}	80	-	-	dB
Closed Loop Gain (Amplifier #2, $V_{CC} = 6.0\text{ V}$, $f = 1.0\text{ kHz}$, $R_L = 32\Omega$)	A_V2	-0.35	0.0	0.35	dB
Gain Bandwidth Product	GBW	-	1.5	-	MHz
Output Power					mW
$V_{CC} = 3.0\text{ V}$, $R_L = 16\Omega$, THD $\leq 10\%$	P_{OUT3}	55	-	-	
$V_{CC} = 6.0\text{ V}$, $R_L = 32\Omega$, THD $\leq 10\%$	P_{OUT6}	240	-	-	
$V_{CC} = 12\text{ V}$, $R_L = 100\Omega$, THD $\leq 10\%$	P_{OUT12}	400	-	-	
Total Harmonic Distortion ($f = 1.0\text{ kHz}$)	THD				%
$(V_{CC} = 6.0\text{ V}$, $R_L = 32\Omega$, $P_{OUT} = 125\text{ mW}$)		-	0.5	1.0	
$(V_{CC} \geq 3.0\text{ V}$, $R_L = 8.0\Omega$, $P_{OUT} = 20\text{ mW}$)		-	0.5	-	
$(V_{CC} \geq 12\text{ V}$, $R_L = 32\Omega$, $P_{OUT} = 200\text{ mW}$)		-	0.6	-	
Power Supply Rejection ($V_{CC} = 6.0\text{ V}$, $\Delta V_{CC} = 3.0\text{ V}$)	PSRR				dB
$(C1 = \infty$, $C2 = 0.01\ \mu\text{F}$)		50	-	-	
$(C1 = 0.1\ \mu\text{F}$, $C2 = 0$, $f = 1.0\text{ kHz}$)		-	12	-	
$(C1 = 1.0\ \mu\text{F}$, $C2 = 5.0\ \mu\text{F}$, $f = 1.0\text{ kHz}$)		-	52	-	
Differential Muting ($V_{CC} = 6.0\text{ V}$, $1.0\text{ kHz} \leq f \leq 20\text{ kHz}$, $CD = 2.0\text{ V}$)	GMT	-	> 70	-	dB

ELECTRICAL PERFORMANCE CURVES

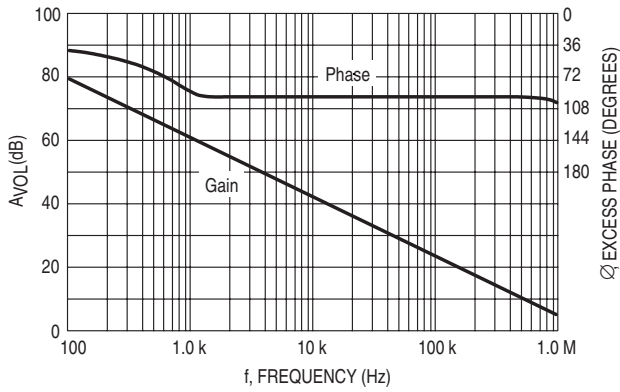


Figure 4. Amplifier #1 Open Loop Gain and Phase

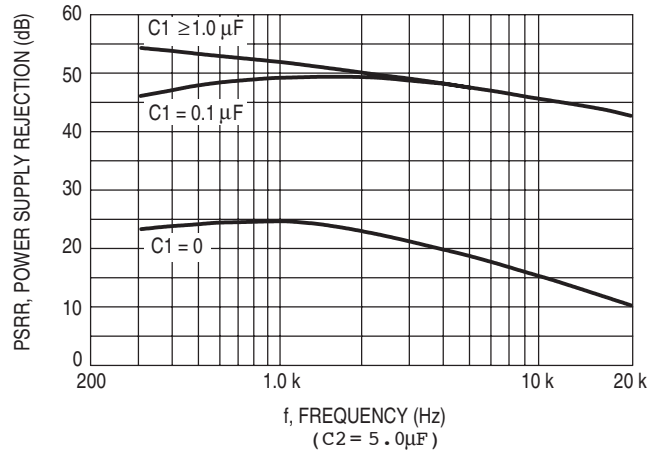


Figure 7. Power Supply Rejection versus Frequency

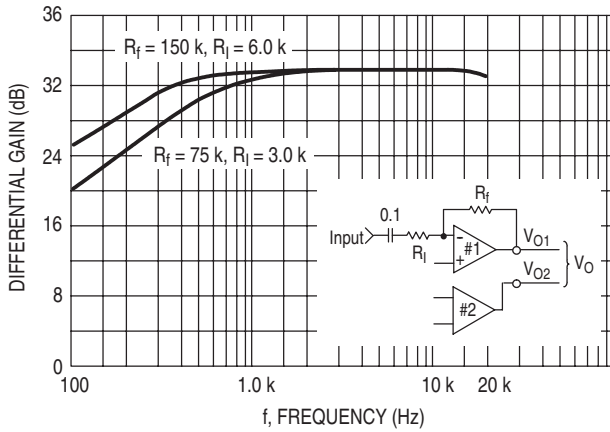


Figure 5. Differential Gain versus Frequency

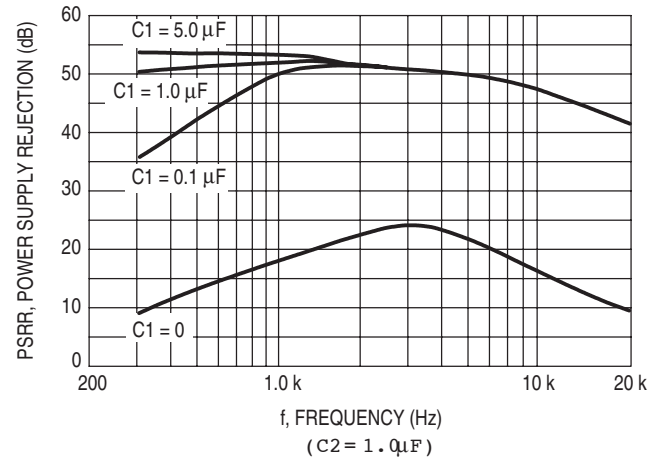


Figure 8. Power Supply Rejection versus Frequency

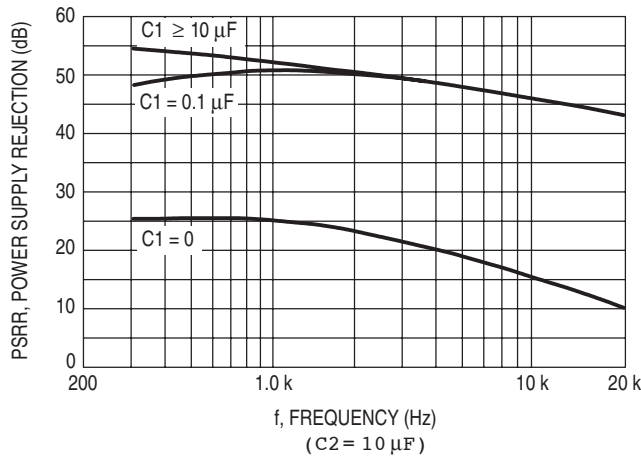


Figure 6. Power Supply Rejection versus Frequency

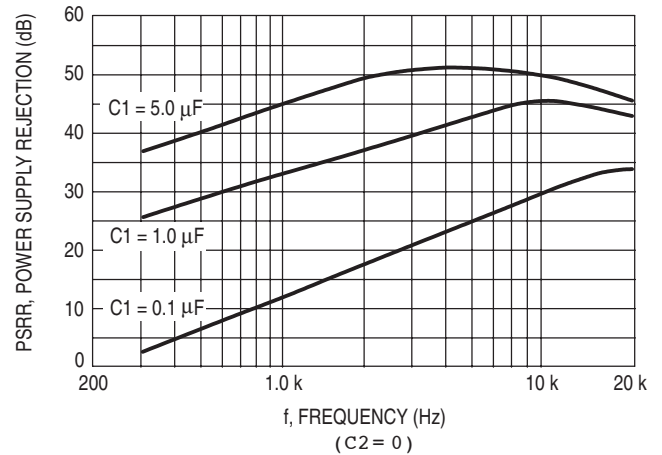


Figure 9. Power Supply Rejection versus Frequency

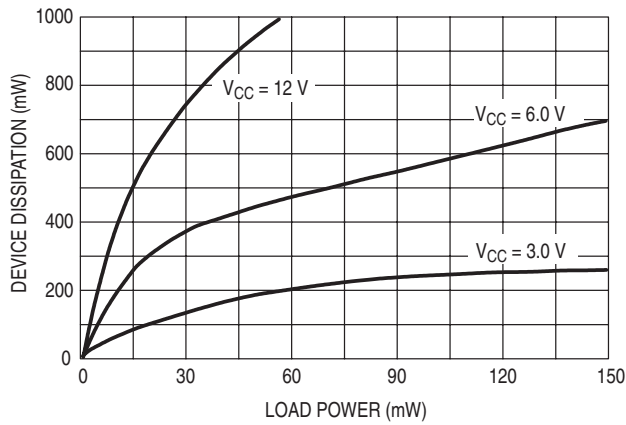


Figure 10. Device Dissipation, 8.0Ω Load

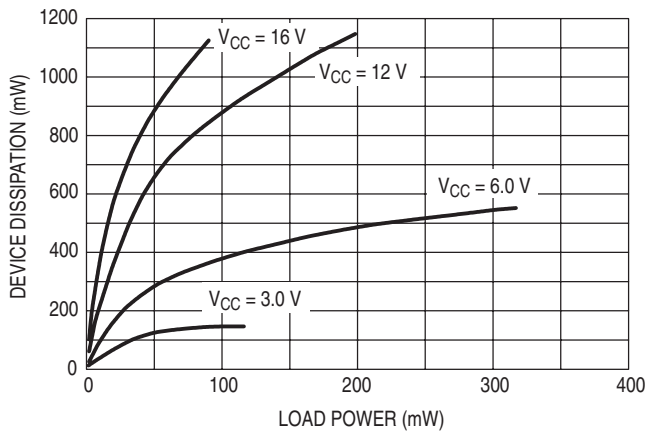


Figure 11. Device Dissipation, 16Ω Load

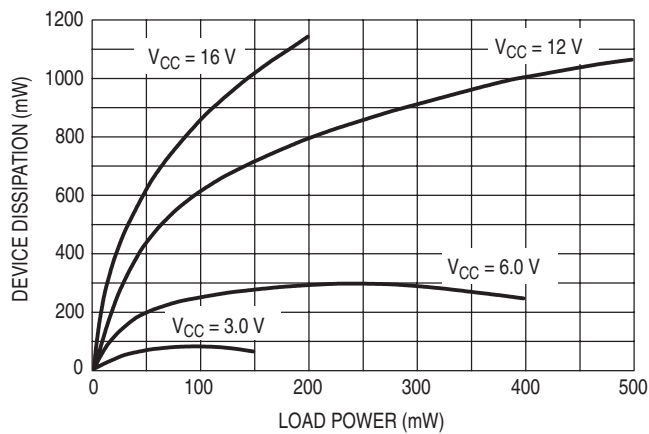


Figure 12. Device Dissipation, 32Ω Load

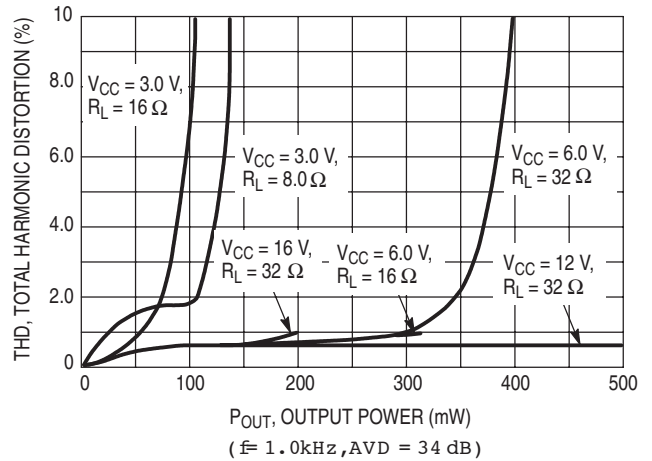


Figure 13. Distortion versus Power

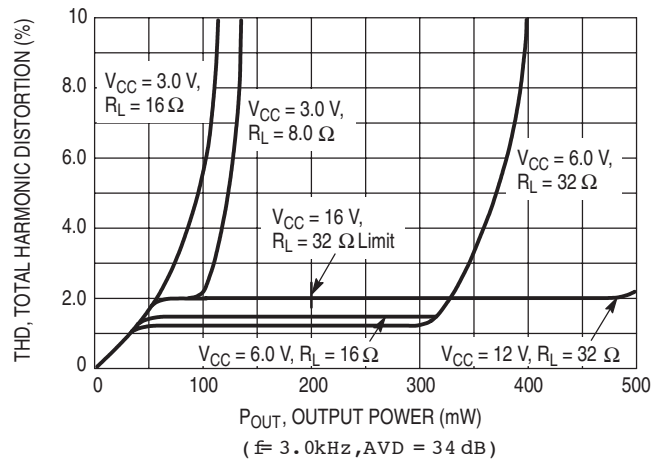


Figure 14. Distortion versus Power

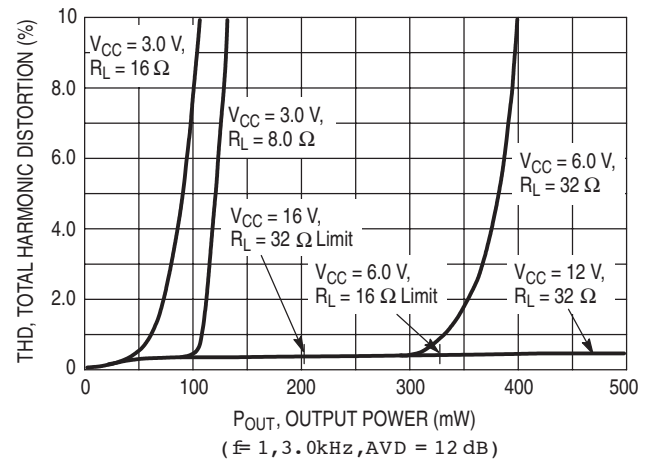


Figure 15. Distortion versus Power

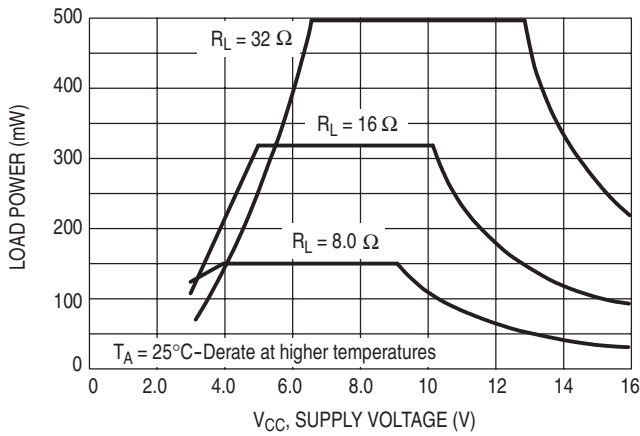


Figure 16. Maximum Allowable Load Power

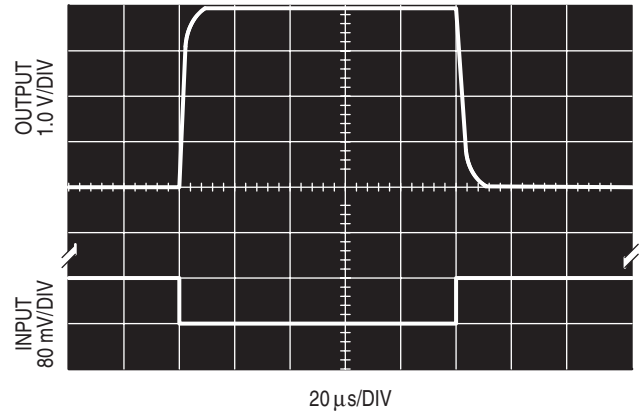


Figure 19. Large Signal Response

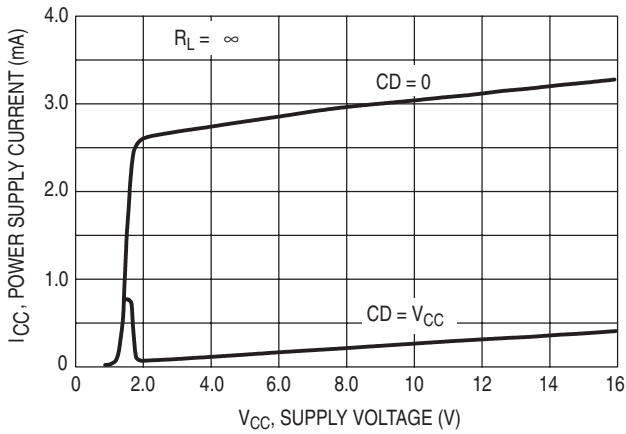


Figure 17. Power Supply Current

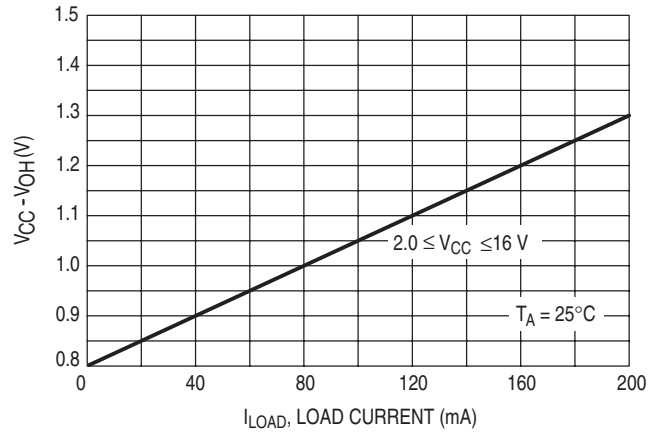


Figure 20. $V_{CC}-V_{OH}$ @ V01, V02 versus load Current

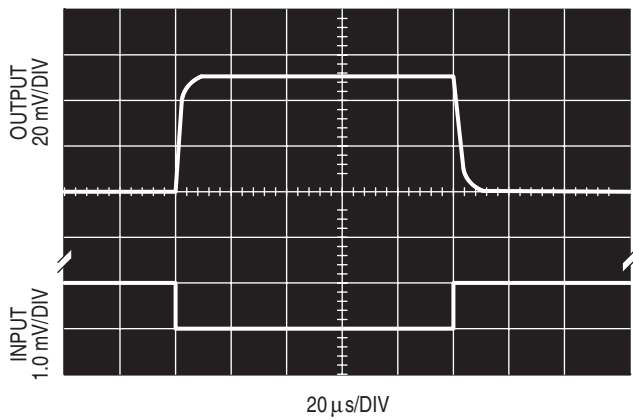


Figure 18. Small Signal Response

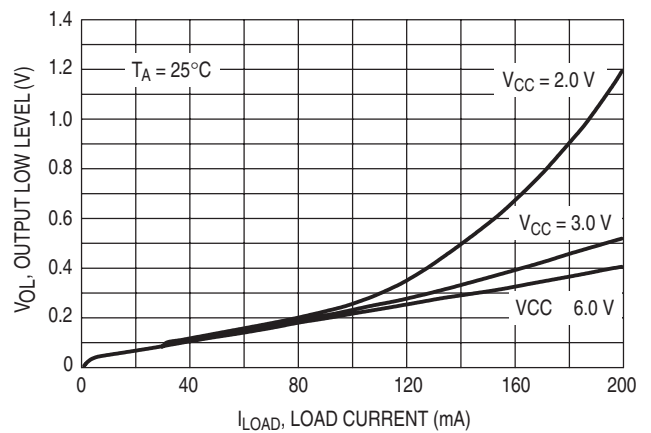


Figure 21. V_{OL} @ V01, V02 versus Load Current

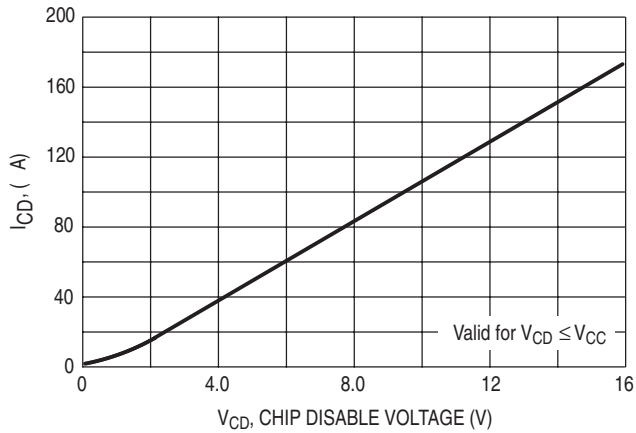


Figure 22. Input Characteristics @ CD (Pin 1)

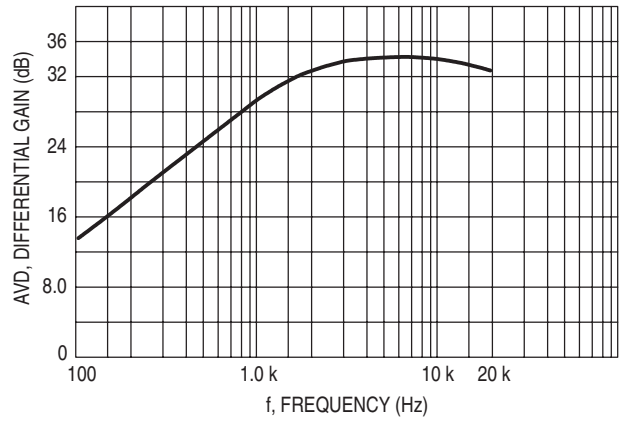
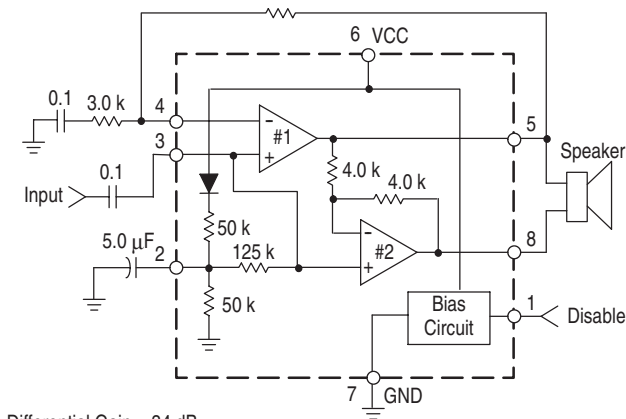


Figure 25. Frequency Response of Figure 24



Differential Gain = 34 dB
Frequency Response: See figure 5
Input Impedance 125 k Ω
PSRR 50 dB

Figure 23. Small Signal Response

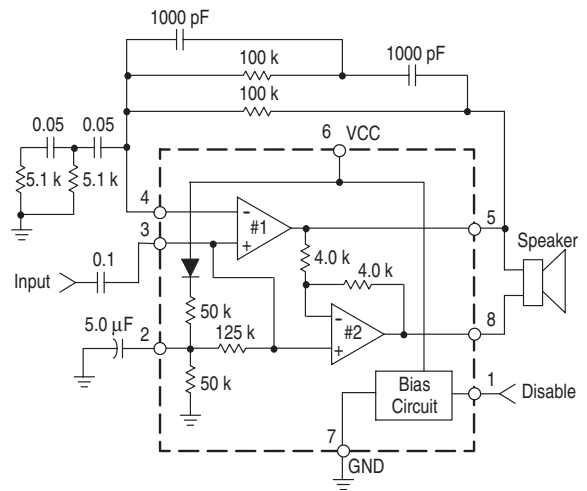


Figure 26. Audio Amplifier with Bandpass

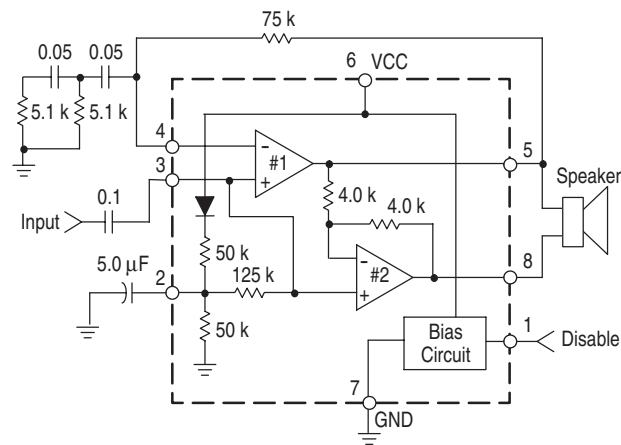


Figure 24. Audio Amplifier with Bass Suppression

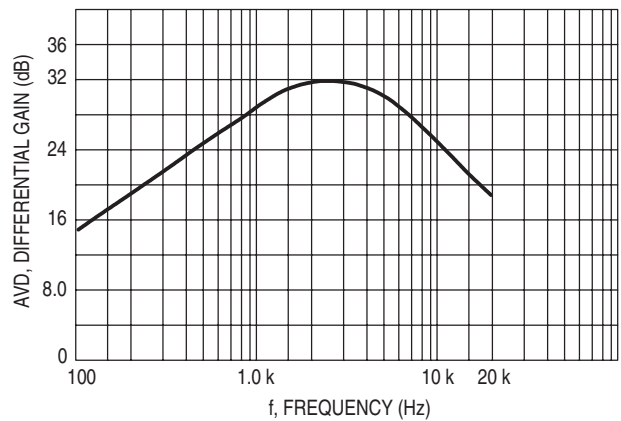


Figure 27. Frequency Response of Figure 26

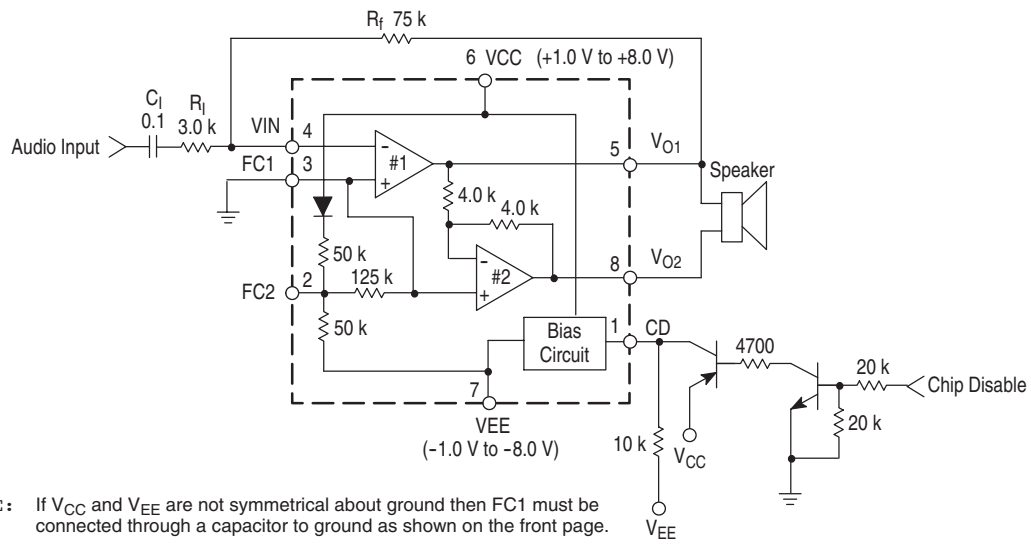


Figure 28. Split Supply Operation

FUNCTIONAL DESCRIPTION

INTRODUCTION

The 34119 is a low power audio amplifier capable of low voltage operation ($V_{CC} = 2.0$ V minimum), such as that encountered in line-powered speakerphones. The circuit provides a differential output (VO1-VO2) to the speaker to maximize the available voltage swing at low voltages. The

differential gain is set by two external resistors. Pins FC1 and FC2 allow control of the amount of power supply and noise rejection, as well as providing alternate inputs to the amplifiers. The CD pin permits power down of the IC for muting purposes and to conserve power.

FUNCTIONAL INTERNAL BLOCK DESCRIPTION

AMPLIFIERS

Referring to the [Internal Block Diagram on page 2](#), the internal configuration consists of two identical operational amplifiers. Amplifier #1 has an open loop gain of ≥ 80 dB (at $f \leq 100$ Hz), and the closed loop gain is set by external resistor R_F and R_I . The amplifier is unity gain stable, and has a unity gain frequency of approximately 1.5 MHz. In order to adequately cover the telephone voice band (300 Hz to 3400 Hz), a maximum closed loop gain of 46 is recommended. Amplifier #2 is internally set to a gain of -1.0 (0 dB).

The outputs of both amplifiers are capable of sourcing and sinking a peak current of 200 mA. The outputs can typically swing to within ≈ 0.4 V above ground, and to within ≈ 1.3 V below V_{CC} , at the maximum current. See [Figures 20 and 21](#) for V_{OH} and V_{OL} curves.

The output dc offset voltage ($V_{O1} - V_{O2}$) is primarily a function of the feedback resistor (R_F), and secondarily due to the amplifiers' input offset voltages. The input offset voltage of the two amplifiers will generally be similar for a particular IC, and therefore nearly cancel each other at the outputs. Amplifier #1's bias current, however, flows out of V_{IN} (Pin 4) and through R_F , forcing V_{O1} to shift negative by an amount equal to $[R_F \cdot I_{IB}]$. V_{O2} is shifted positive an equal amount. The output offset voltage, specified in the Electrical Characteristics, is measured with the feedback resistor shown in the [Typical Applications](#) Circuit, and therefore takes into account the bias current as well as internal offset voltages of the amplifiers. The bias current is constant with respect to V_{CC} .

FC1 AND FC2

Power supply rejection is provided by the capacitors (C1 and C2 in the [Typical Applications](#) Circuit) at FC1 and FC2. C2 is somewhat dominant at low frequencies, while C1 is dominant at high frequencies, as shown in the graphs of [Figures 6 to 9](#). The required values of C1 and C2 depend on the conditions of each application. A line powered speakerphone, for example, will require more filtering than a circuit powered by a well regulated power supply. The amount of rejection is a function of the capacitors, and the equivalent impedance looking into FC1 and FC2 (listed in the Electrical Characteristics as R_{FC1} and R_{FC2}).

In addition to providing filtering, C1 and C2 also affect the turn-on time of the circuit at power-up, since the two

capacitors must charge up through the internal 50 k and 125 k resistors. The graph of [Figure 29](#) indicates the turn-on time upon application of V_{CC} of +6.0 V. The turn-on time is $\approx 60\%$ longer for $V_{CC} = 3.0$ V, and $\approx 20\%$ less for $V_{CC} = 9.0$ V. Turn-off time is < 10 μ s upon removal of V_{CC} .

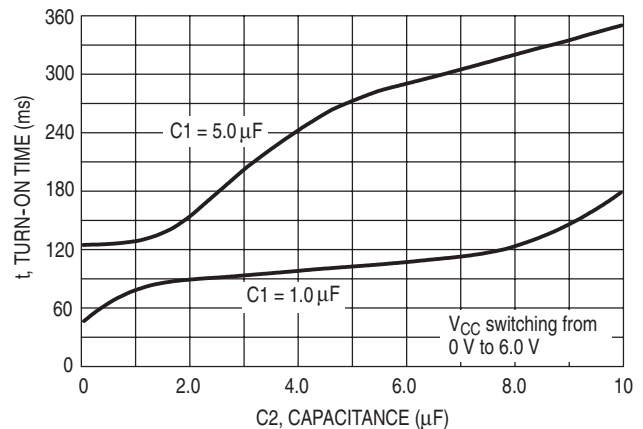


Figure 29. Turn-On Time versus C1 and C2 at Power-On

CHIP DISABLE

The Chip Disable (Pin 1) can be used to power down the IC to conserve power, or for muting, or both. When at a Logic "0" (0 V to 0.8 V), the 34119 is enabled for normal operation. When Pin 1 is at a Logic "1" (2.0 V to V_{CC} V), the IC is disabled. If Pin 1 is open, that is equivalent to a Logic "0," although good design practice dictates that an input should never be left open. Input impedance at Pin 1 is a nominal 90 k Ω . The power supply current (when disabled) is shown in [Figure 17](#).

Muting, defined as the change in differential gain from normal operation to muted operation, is in excess of 70 dB. The turn-off time of the audio output, from the application of the CD signal, is < 2.0 μ s, and turn-on time is 12 ms-15 ms. Both times are independent of C1, C2, and V_{CC} .

When the 34119 is disabled, the voltages at FC1 and FC2 do not change as they are powered from V_{CC} . The outputs, VO1 and VO2, change to a high impedance condition, removing the signal from the speaker. If signals from other sources are to be applied to the outputs (while disabled), they must be within the range of V_{CC} and Ground.

POWER DISSIPATION

Figures 10 to 12 indicate the device dissipation (within the IC) for various combinations of V_{CC} , R_L , and load power.

The maximum power which can safely be dissipated within the MC34119 is found from the following equation:

$$P_D = (140^\circ\text{C} - T_A)/\theta_{JA}$$

where T_A is the ambient temperature; and θ_{JA} is the package thermal resistance (100°C/W for the standard DIP package, and 180°C/W for the surface mount package.)

The power dissipated within the 34119, in a given application, is found from the following equation:

$$P_D = (V_{CC} \times I_{CC}) + (I_{RMS} \times V_{CC}) - (R_L \times I_{RMS}^2)$$

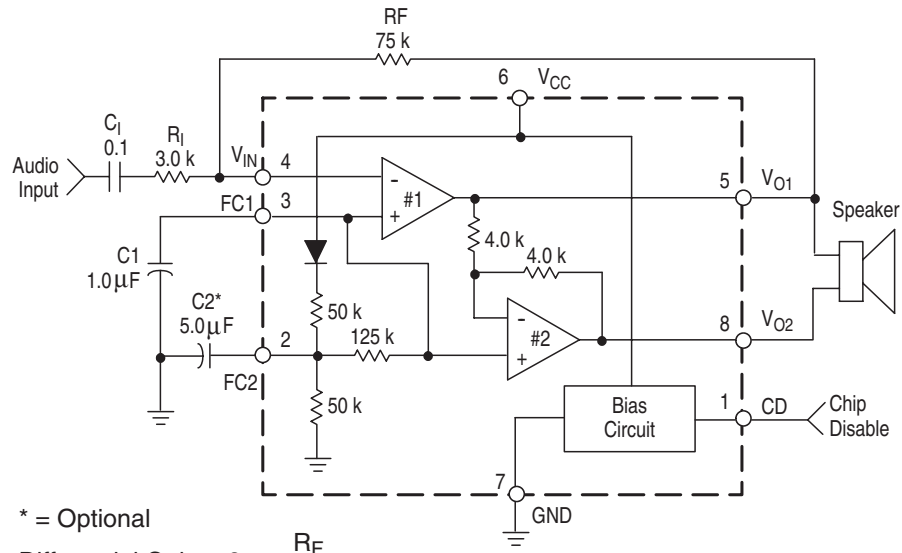
where I_{CC} is obtained from Figure 17; and I_{RMS} is the RMS current at the load; and R_L is the load resistance.

Figures 10 to 12, along with Figures 13 to 15 (distortion curves), and a peak working load current of ± 200 mA, define the operating range for the 34119. The operating range is further defined in terms of allowable load power in Figure 16 for loads of 8.0Ω, 16Ω and 32Ω. The left (ascending) portion of each curve is defined by the maximum output current capability of the 34119. The center flat portion of each curve is defined by the maximum internal power dissipation of the IC at 25°C. At higher ambient temperatures, the maximum load power must be reduced according to the above equations. Operating the device beyond the current and junction temperature limits will degrade long term reliability.

LAYOUT CONSIDERATIONS

Normally a snubber is not needed at the output of the 34119, unlike many other audio amplifiers. However, the PC board layout, stray capacitances, and the manner in which the speaker wires are configured, may dictate otherwise. Generally, the speaker wires should be twisted tightly, and not more than a few inches in length.

TYPICAL APPLICATIONS



* = Optional

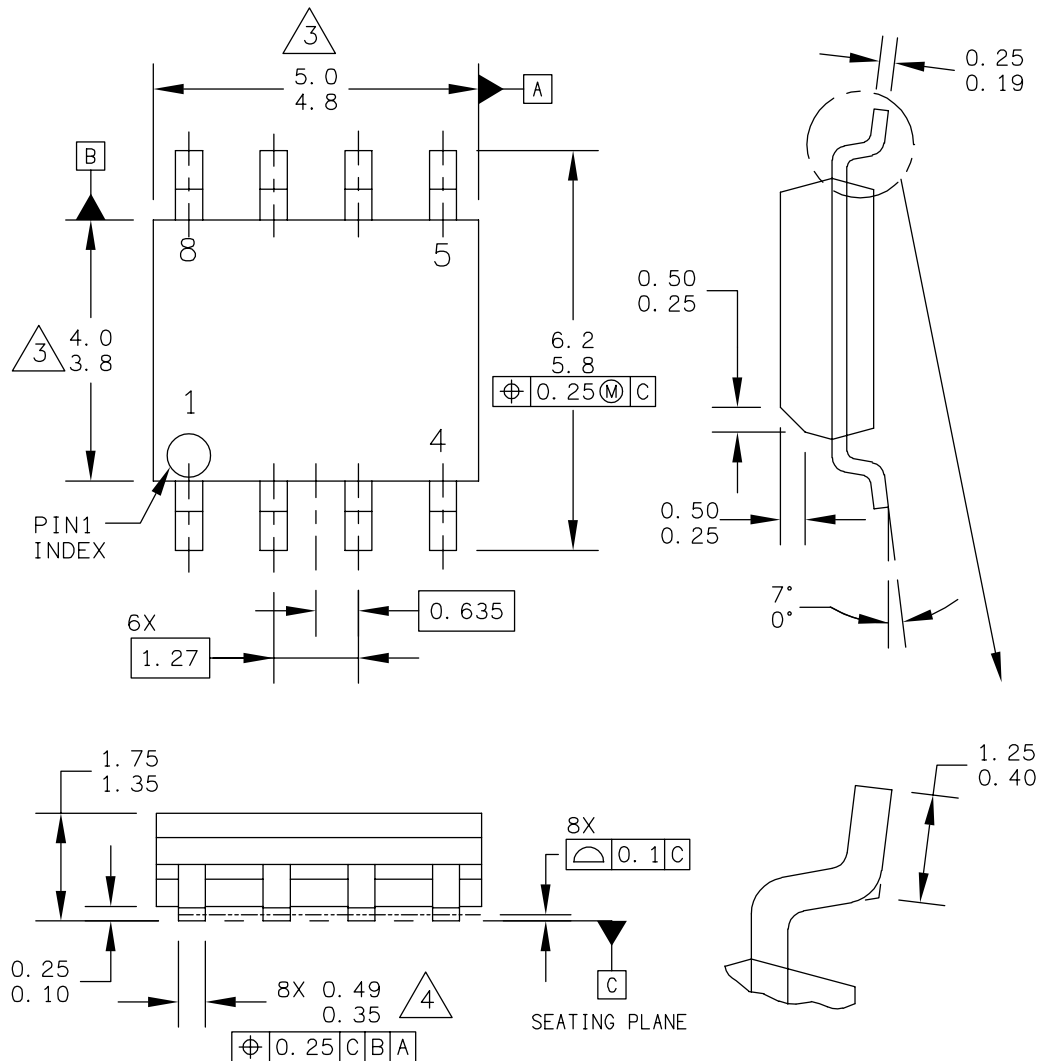
$$\text{Differential Gain} = 2 \times \frac{R_F}{R_1}$$

This device contains 45 active transistors.

PACKAGING

PACKAGE DIMENSIONS

For the most current package revision, visit www.freescale.com and perform a keyword search using the "98A" listed below.



© FREESCALE SEMICONDUCTOR, INC. ALL RIGHTS RESERVED.	MECHANICAL OUTLINE	PRINT VERSION NOT TO SCALE	
TITLE: 8LD SOIC NARROW BODY	DOCUMENT NO: 98ASB42564B	REV: U	
	CASE NUMBER: 751-07	07 APR 2005	
	STANDARD: JEDEC MS-012AA		

D SUFFIX
EF SUFFIX (PB-FREE)
PLASTIC PACKAGE
98ASB42564B
ISSUE U

REVISION HISTORY

REVISION	DATE	DESCRIPTION OF CHANGES
2.0	11/2006	<ul style="list-style-type: none">• Converted to the current Freescale format• Implemented Revision History page• Removed Peak Package Reflow Temperature During Reflow (solder reflow) parameter from Maximum Ratings on page 4. Added note with instructions from www.freescale.com• Updated the Package drawing to the current revision
3.0	12/2006	<ul style="list-style-type: none">• Restated note Freescale's Package Reflow capability meets Pb-free requirements for JEDEC standard J-STD-020C. For Peak Package Reflow Temperature and Moisture Sensitivity Levels (MSL), Go to www.freescale.com, search by part number [e.g. remove prefixes/suffixes and enter the core ID to view all orderable parts. (i.e. MC33xxxD enter 33xxx), and review parametrics. on page 4

How to Reach Us:

Home Page:

www.freescale.com

Web Support:

<http://www.freescale.com/support>

USA/Europe or Locations Not Listed:

Freescale Semiconductor, Inc.
Technical Information Center, EL516
2100 East Elliot Road
Tempe, Arizona 85284
+1-800-521-6274 or +1-480-768-2130
www.freescale.com/support

Europe, Middle East, and Africa:

Freescale Halbleiter Deutschland GmbH
Technical Information Center
Schatzbogen 7
81829 Muenchen, Germany
+44 1296 380 456 (English)
+46 8 52200080 (English)
+49 89 92103 559 (German)
+33 1 69 35 48 48 (French)
www.freescale.com/support

Japan:

Freescale Semiconductor Japan Ltd.
Headquarters
ARCO Tower 15F
1-8-1, Shimo-Meguro, Meguro-ku,
Tokyo 153-0064
Japan
0120 191014 or +81 3 5437 9125
support.japan@freescale.com

Asia/Pacific:

Freescale Semiconductor Hong Kong Ltd.
Technical Information Center
2 Dai King Street
Tai Po Industrial Estate
Tai Po, N.T., Hong Kong
+800 2666 8080
support.asia@freescale.com

For Literature Requests Only:

Freescale Semiconductor Literature Distribution Center
P.O. Box 5405
Denver, Colorado 80217
1-800-441-2447 or 303-675-2140
Fax: 303-675-2150
LDCForFreescaleSemiconductor@hibbertgroup.com

RoHS-compliant and/or Pb-free versions of Freescale products have the functionality and electrical characteristics of their non-RoHS-compliant and/or non-Pb-free counterparts. For further information, see <http://www.freescale.com> or contact your Freescale sales representative.

For information on Freescale's Environmental Products program, go to <http://www.freescale.com/epp>.

Information in this document is provided solely to enable system and software implementers to use Freescale Semiconductor products. There are no express or implied copyright licenses granted hereunder to design or fabricate any integrated circuits or integrated circuits based on the information in this document.

Freescale Semiconductor reserves the right to make changes without further notice to any products herein. Freescale Semiconductor makes no warranty, representation or guarantee regarding the suitability of its products for any particular purpose, nor does Freescale Semiconductor assume any liability arising out of the application or use of any product or circuit, and specifically disclaims any and all liability, including without limitation consequential or incidental damages. "Typical" parameters that may be provided in Freescale Semiconductor data sheets and/or specifications can and do vary in different applications and actual performance may vary over time. All operating parameters, including "Typicals", must be validated for each customer application by customer's technical experts. Freescale Semiconductor does not convey any license under its patent rights nor the rights of others. Freescale Semiconductor products are not designed, intended, or authorized for use as components in systems intended for surgical implant into the body, or other applications intended to support or sustain life, or for any other application in which the failure of the Freescale Semiconductor product could create a situation where personal injury or death may occur. Should Buyer purchase or use Freescale Semiconductor products for any such unintended or unauthorized application, Buyer shall indemnify and hold Freescale Semiconductor and its officers, employees, subsidiaries, affiliates, and distributors harmless against all claims, costs, damages, and expenses, and reasonable attorney fees arising out of, directly or indirectly, any claim of personal injury or death associated with such unintended or unauthorized use, even if such claim alleges that Freescale Semiconductor was negligent regarding the design or manufacture of the part.

Freescale™ and the Freescale logo are trademarks of Freescale Semiconductor, Inc. All other product or service names are the property of their respective owners.

© Freescale Semiconductor, Inc., 2007. All rights reserved.