

MC145745

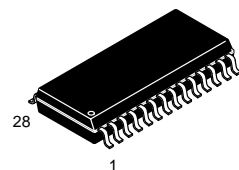
Product Preview V.21/V.23 Telemeter Modem

The MC145745 is a selectable modem chip compatible with ITU V.21 (300 baud full duplex asynchronous) and V.23 mode 2 (1200 baud half duplex asynchronous). The built-in differential line driver has the capability of driving 0 dBm into a 600 Ω load with a 5 V single power supply. This device also includes a DTMF generator, DTMF receiver, call-progress tone detector, answer tone generator, and a receive timing control circuit.

Besides having a clock generator with a crystal oscillator connected to it, the device has a divider circuit to which input of a double frequency clock is possible from external sources, such as from a microcontroller unit (MCU). The serial control port (SCP) permits the MCU to access internal registers for exercising the built-in features.

A low consumption device, the MC145745 integrates various functions in a small package. This modem IC is best suited for telemeter and other applications of this type.

- Conforms to ITU V.21 and V.23 Recommendations
- DTMF Generator and Receiver for all 16 Standard Digits
- Capable of Driving 0 dBm into a 600 Ω Load ($V_{CC} = 5\text{ V}$)
- Automatic Gain Control (AGC) Amplifier for the DTMF Receiver
- Call-Progress Tone Detector
- Four-Wire Serial Data Interface (SCP)
- Programmable Transmission and Carrier Detection Levels
- FSK/DTMF Analog Loopback Self-Test Function
- Crystal Oscillator (3.579545 MHz) and Half Divider Circuit (7.159090 MHz) for External Inputs
- Operates in the Voltage Range of 3.3 – 5.5 V
- Power Down Mode ($I_{CC} < 1\ \mu\text{A}$)



FW SUFFIX
SOIC
CASE 751M

ORDERING INFORMATION

MC145745FW SOIC

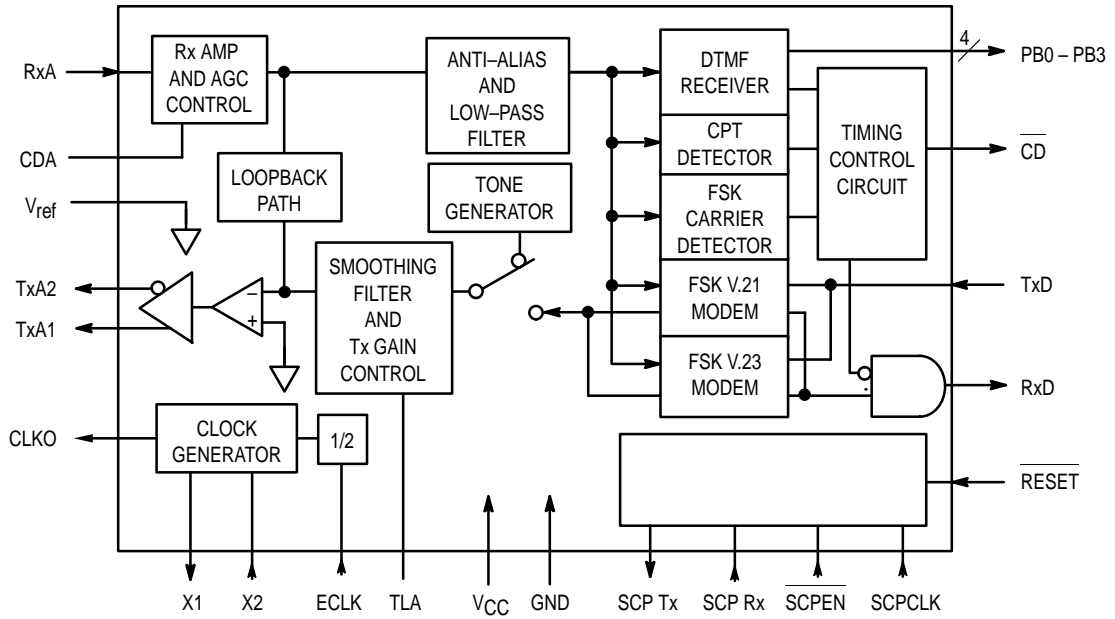
PIN ASSIGNMENT

GND	1	28	V _{CC}
V _{ref}	2	27	RxA
CDA	3	26	TxA1
TLA	4	25	TxA2
TEST 1	5	24	TEST 2
RxD	6	23	SCPEN
TxD	7	22	SCPCLK
CD	8	21	SCP Rx
CLKO	9	20	SCP Tx
X1	10	19	RESET
X2	11	18	PB3
ECLK	12	17	PB2
PB0	13	16	PB1
GND	14	15	V _{CC}

This document contains information on a product under development. Motorola reserves the right to change or discontinue this product without notice.

REV 0
7/96

BLOCK DIAGRAM



PIN DESCRIPTIONS

Pin Location	Symbol	Type	Description
1, 14	GND	—	Ground — These are the ground pins of the digital and the analog circuits. The 0 V potential of the device is determined by the input voltage at these pins.
2	V _{ref}	—	Reference Analog Ground — This pin provides the analog ground voltage V _{CC} /2, which is regulated internally. This pin should be decoupled to GND with 0.1 μF and 100 μF capacitors.
3	CDA	—	Carrier Detect Level Adjustment — The detection level for FSK/call-progress tone is determined according to the voltage at this pin. When V _{CC} = 5 V and the carrier detection level bit (BR3:b1) of the SCP register is 0, or when V _{CC} = 3.6 V and (BR3:b1) is 1, the CDA voltage is set to 1.25 V by the internal divider. This voltage sets the detection levels at ON to OFF: – 44 dBm (typ) and OFF to ON: – 47 dBm (typ). This high impedance pin should be decoupled to GND with a 0.1 μF capacitor. The carrier detection level is proportional to the terminal voltage at this pin. An external voltage may be applied to this pin to adjust the carrier detect threshold. The following equations may be used to find the CDA voltage requirements for a given threshold voltage. $V_{CDA} = 256 \times V_{on}$ $V_{CDA} = 362 \times V_{off}$
4	TLA	—	Transmit Level Adjustment — This pin is used to adjust the transmit carrier level which is determined by the resistor (RTLA) connected between this pin and GND. The maximum level is obtained when this pin is shorted to GND (RTLA = 0).
5, 24	TEST 1, TEST 2	I/O	Test Pins 1 and 2 — These test pins are for manufacturer's use only. These pins should be left open in normal operation.
6	RxD	O	Receive Data Output — This pin is the receive data output. When the device is in the FSK mode, logic high on this pin indicates that the mark carrier frequency has been received from RxA, and the logic low indicates that the space carrier frequency has been received.
7	TxD	I	Transmit Data Input — This pin is the transmit data input. When the device is in the FSK mode, logic high on this pin generates the mark frequency at TxA1 and TxA2 output, and logic low generates the space frequency.
8	CD	O	Carrier Detect Output — This pin outputs at low level if a valid FSK, DTMF, or CPTD signal is received. If the pin is at high level, the receive data output pin (RxD) is internally clamped at high level to avoid erroneous output of received data caused by line noise.
9	CLKO	O	Clock Output — This pin provides a buffered 3.58 MHz clock output that can drive one CMOS device such as the MC74HC04.
10	X1	O	Crystal Oscillator Circuit Output — A 3.579545 MHz ± 0.1% crystal oscillator is tied to this pin with the other end connected to X2.
11	X2	I	Crystal Oscillator Circuit Input — A 3.579545 MHz ± 0.1% crystal oscillator is tied to this pin with the other end connected to X1. X2 may be driven directly from an appropriate external clock source.
12	ECLK	I	External Clock Input — ECLK is the input of double frequency, 7.159090 MHz ± 0.1%, of the reference clock. This pin must be connected to GND when not in use.
13	PB0	O	DTMF Receive Data Parallel Output 0 (LSB) — Pins 13, 16, 17, and 18 are the DTMF receive data parallel output occurring together with the CD (Pin 8) data valid output. The outputs of these pins are valid as long as the CD pin is low. In power down modes 1 and 2, the DTMF receiver is disabled and these pins are in high impedance.
15, 28	V _{CC}	—	Positive Power Supply — These are the power supply pins for the digital and the analog circuits. These pins should be decoupled to GND with 0.1 μF and 100 μF capacitors.
16, 17, 18	PB1, PB2, PB3	O	DTMF Receive Data Parallel Outputs 1, 2, and 3 (MSB) — These pins are the DTMF receiver data parallel outputs. See pin 13 for more details.
19	RESET	I	Reset — A high to low trigger pulse applied to this pin sets all the registers in the default state. It should remain at high during normal operations.
20	SCP Tx	O	SCP Output Transmit — Refer to Serial Control Port (SCP Interface) for additional information.
21	SCP Rx	I	SCP Receive Input — Refer to Serial Control Port (SCP Interface) for additional information.
22	SCPCLK	I	SCP Clock — Refer to Serial Control Port (SCP Interface) for additional information.
23	SCPEN	I	SCP Enable — Refer to Serial Control Port (SCP Interface) for additional information.

PIN DESCRIPTIONS (continued)

Pin Location	Symbol	Type	Description
25	TxA2	O	Transmit Buffer Output 2 (Inverting) — This pin is the inverting output of the line driver. When $V_{CC} = 5\text{ V}$, +7 dBm (typ), differential output voltage ($V_{TxA1} - V_{TxA2}$), can be obtained with a load of 1.2 k Ω between pins TxA1 and TxA2. In typical applications, the output level on the telephone line will be half of the differential output (refer to Application Circuit).
26	TxA1	O	Transmit Buffer Output 1 (Non-Inverting) — This pin is the non-inverting output of the line driver. Refer to TxA2.
27	RxA	I	Receive Signal Input — This pin is the analog signal input which has 500 k Ω input resistance (typ).

ABSOLUTE MAXIMUM RATINGS

Rating	Symbol	Value	Unit
DC Supply Voltage	V_{CC}	- 0.5 to + 7.0	V
DC Input Voltage	V_{in}	- 0.5 to $V_{CC} + 0.5$	V
DC Output Voltage	V_{out}	- 0.5 to $V_{CC} + 0.5$	V
DC Input Current	I_{in}	± 20	mA
DC Output Current	I_{out}	± 25	mA
Power Dissipation	PD	500	mW
Storage Temperature Range	T_{stg}	- 65 to + 150	$^{\circ}\text{C}$

This device contains circuitry to protect the inputs against damage due to high static voltages or electric fields. However, it is advised that normal precautions be taken to avoid applications of any voltage higher than maximum rated voltages to this high impedance circuit. For proper operation, it is recommended that V_{in} and V_{out} be constrained to the range $\text{GND} \leq (V_{in} \text{ or } V_{out}) \leq V_{CC}$.

Reliability of operation is enhanced if unused logic inputs are tied to an appropriate logic voltage level (e.g., either GND or V_{CC}).

RECOMMENDED OPERATIONAL CONDITIONS

Parameter	Symbol	Min	Typ	Max	Unit
DC Supply Voltage	V_{CC}	3.3	5.0	5.5	V
DC Input Voltage	V_{in}	0	—	V_{CC}	V
DC Output Voltage	V_{out}	0	—	V_{CC}	V
Crystal Oscillation Frequency	f_{osc}	—	3.579545	—	MHz
External Input Frequency (ECLK)		—	7.15909	—	
Operating Temperature Range	T_A	- 30	25	+ 85	$^{\circ}\text{C}$

DC ELECTRICAL CHARACTERISTICS ($V_{CC} = +3.3$ to $+5.5\text{ V}$, $T_A = -30$ to $+85^{\circ}\text{C}$)

Characteristic	Symbol	Conditions	Min	Typ	Max	Unit	
Input Voltage (TxD, ECLK, RESET, SCP Rx, SCPCLK, SCPEN)	High Level	V_{IH}	$0.7 \times V_{CC}$	—	—	V	
	Low Level	V_{IL}	—	—	1.1		
Output Voltage (Rx, CD, CLK, PB0-3, SCP Tx)	High Level	V_{OH}	$V_{in} = V_{IH} \text{ or } V_{IL}$, $I_{out} = 20\ \mu\text{A}$	$V_{CC} - 0.1$	$V_{CC} - 0.01$	—	
	Low Level	V_{OL}	$V_{in} = V_{IH} \text{ or } V_{IL}$, $I_{out} = 20\ \mu\text{A}$, $I_{out} = 2\ \text{mA}$	—	0.01	0.1 0.4	
Input Leakage Current (Tx, ECLK, RESET, SCP Rx, SCPCLK, SCPEN)	I_{in}	$V_{in} = V_{CC} \text{ or } \text{GND}$	—	± 1.0	± 10.0	μA	
Quiescent Supply Current	$V_{CC} = 5\text{ V}$	I_{CC}	FSK Mode, RTLA = 0 TxA1 and TxA2 open	—	7	—	mA
		I_{CC}	DTMF Receive Mode, no input	—	9	—	
	$V_{CC} = 3.6\text{ V}$	I_{CC}	FSK Mode, RTLA = 0 TxA1 and TxA2 open	—	6	—	
		I_{CC}	DTMF Receive Mode, no input	—	8	—	
Power-Down Supply Current	I_{CC}	Power-Down Mode 1	—	—	500	μA	
		Power-Down Mode 2	—	—	1.0	μA	

AC ELECTRICAL CHARACTERISTICS

($V_{CC} = +3.6\text{ V} \pm 0.3\text{ V}$, $T_A = -30\text{ to }+85\text{ }^\circ\text{C}$)

TRANSMIT CARRIER CHARACTERISTICS

Characteristic		Symbol	Conditions	Min	Typ	Max	Unit		
V.21 Carrier Frequency Originate Mode	Mark "1"	f_{1M}	Oscillation Frequency: 3.579545 MHz (X2) or 7.159090 MHz (ECLK)	974	980	986	Hz		
	Space "0"	f_{1S}		1174	1180	1186			
V.21 Carrier Frequency Answer Mode	Mark "1"	f_{2M}		1644	1650	1656			
	Space "0"	f_{2S}		1844	1850	1856			
V.23 Carrier Frequency	Mark "1"	f_{1M}		1294	1300	1306			
	Space "0"	f_{1S}		2094	2100	2106			
Transmit Carrier Level		V_O		Transmit Attenuator = 0 dB RTLA = 0, $R_L = 1.2\text{ k}\Omega$ $V_{TxA1} - V_{TxA2}$	—	4		—	dBm
Secondary Harmonic Level		V_{2h}			—	-40		—	dB
Out-of-Band Level		V_{OE}	Refer to Figure 1			dBm			

TRANSMIT ATTENUATOR CHARACTERISTICS

Characteristic	Symbol	Conditions	Min	Typ	Max	Unit	
Attenuation Range			0	—	15	dB	
Attenuator Accuracy			1 – 5 dB	-0.5	—	0.5	dB
			6 – 9 dB	-1	—	1	
			10 – 15 dB	-1.7	—	1	

RECEIVER CHARACTERISTICS (Includes Hybrid, Demodulator, and Carrier Detector)

Characteristic	Symbol	Conditions	Min	Typ	Max	Unit	
Input Resistance	R_{IRX}		50	500	—	$\text{k}\Omega$	
Receive Carrier Amplitude	V_{IRX}		-48	—	-12	dBm	
Carrier Detection Threshold	OFF to ON	V_{CDON}	CDA = 1.25 V $f_{in} = 1.0\text{ kHz}$ BR3 (b1) = 1	—	-44	—	dBm
	ON to OFF	V_{CDOFF}		—	-47	—	
Hysteresis ($V_{CDON} - V_{CDOFF}$)		HYS		2	—	—	dB
Carrier Detection Timing	OFF to ON	T_{CDON}		CD1 = 0, CD0 = 0, CD Pin	—	450	—
			CD1 = 0, CD0 = 1, CD Pin	—	15	—	
			CD1 = 1, CD0 = 0, CD Pin	—	15	—	
			CD1 = 1, CD0 = 1, CD Pin	—	75	—	
	ON to OFF	T_{CDOFF}	CD1 = 0, CD0 = 0, CD Pin	—	30	—	
			CD1 = 0, CD0 = 1, CD Pin	—	30	—	
			CD1 = 1, CD0 = 0, CD Pin	—	15	—	
			CD1 = 1, CD0 = 1, CD Pin	—	10	—	

CPTD CHARACTERISTICS

Characteristic	Symbol	Conditions	Min	Typ	Max	Unit	
BPF Center Frequency	f_c		—	400	—	Hz	
BPF Pass-Band Lower Cut-Off Frequency	f_l	-3 dB	—	330	—	Hz	
BPF Pass-Band Upper Cut-Off Frequency	f_h	-3 dB	—	470	—	Hz	
CPT Detection Level	VTD ON	V_{TDON}	CDA = 1.25 V $f_{in} = 400\text{ Hz}$ BR3 (b1) = 1	—	-44	—	dBm
	VTD OFF	V_{TDOFF}		—	-47	—	
CPT Detection Timing	TTD ON	T_{TDON}		—	10	—	ms
	TTD OFF	T_{TDOFF}		—	25	—	

DTMF TRANSMIT CHARACTERISTICS

Characteristic		Symbol	Conditions	Min	Typ	Max	Unit	
Tone Output Level	Low Group	V_{fl}	Transmit Attenuator = 0 dB RTLA = 0 Ω $f_{osc} = 3.579545$ MHz Single Tone Mode $R_L = 1.2$ k Ω $V_{TxA1} - V_{TxA2}$	—	0	—	dBm	
	High Group	V_{fh}		—	1	—	dBm	
High Group Pre-Emphasis		P_E		0	—	3	dB	
DTMF Distortion		DIST		—	5	—	%	
DTMF Frequency Deviation		Δf_V		-1	—	1	%	
Out-of-Band Level		V_{OE}		Refer to Figure 1			—	dB
Setup Time		t_{osc}		—	4	—	ms	

DTMF RECEIVER CHARACTERISTICS

Characteristic		Symbol	Conditions	Min	Typ	Max	Unit
Input Resistance				50	500	—	k Ω
Detection Signal Level (Each Tone)			BR3 = (0, 0, 1, 0)	-48	—	0	dBm
Twist (High/Low Group)				-10	—	10	dB
Frequency Detection Band Width (Figure 3)				1.5% + 2 Hz - 1.5% - 2Hz	— —	— —	
Frequency Non-Detection Band Width (Figure 3)				—	—	$\pm 3.5\%$	
DTMF Detection Timing (Figure 2)	OFF to ON Delay	TDV _{ON}	CD1 = 0, CD0 = 0	—	30	—	ms
			CD1 = 0, CD0 = 1	—	35	—	
			CD1 = 1, CD0 = 0	—	45	—	
	ON to OFF Delay	TDV _{OFF}	CD1 = 0, CD0 = 0	—	25	—	
			CD1 = 0, CD0 = 1	—	35	—	
			CD1 = 1, CD0 = 0	—	25	—	

DEMODULATOR CHARACTERISTICS

Characteristic	Symbol	Conditions	Min	Typ	Max	Unit
V.21 Bit Bias		Receive Level = -24 dBm S/N = 4 dB	—	5	—	%
V.23 Bit Bias		Receive Level = -24 dBm S/N = 14 dB	—	10	—	%
V.21 Bit Error Rate		Receive Level = -24 dBm S/N = 4 dB 511-Bit Pattern	—	0.00001	—	
V.23 Bit Error Rate		Receive Level = -24 dBm S/N = 14 dB 511-Bit Pattern	—	0.00001	—	

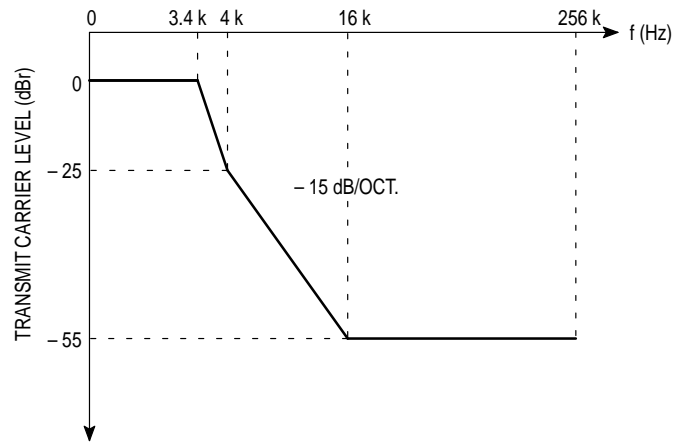


Figure 1. Out-of-Band Level

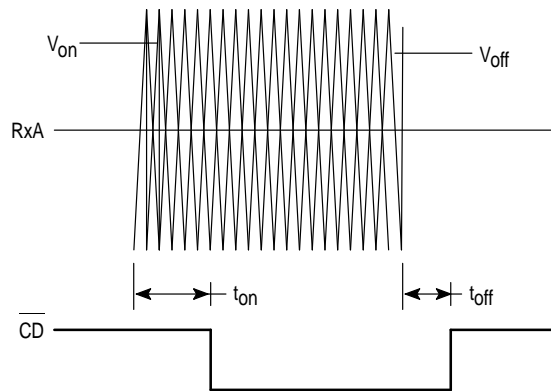


Figure 2. FSK, DTMF, and CPT Carrier Detection Timing

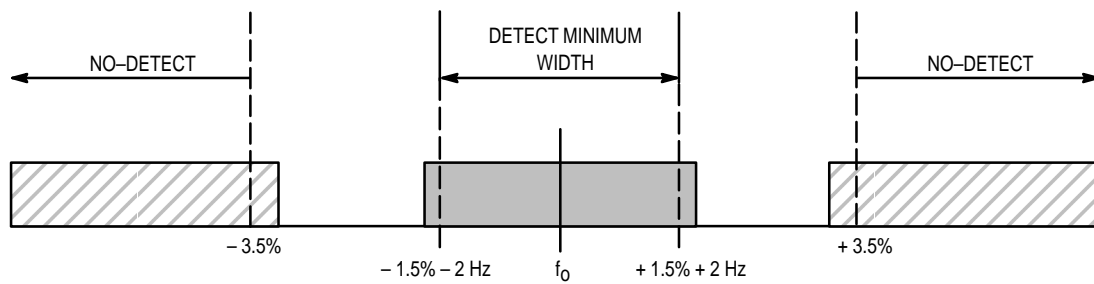


Figure 3. DTMF Frequency Detection Bandwidth

SCP TIMING CHARACTERISTICS

Ref. No.	Characteristic	Min	Max	Unit
1	SCPEN Active Before Rising Edge of SCPCLK	50	—	ns
2	SCPCLK Rising Edge Before SCPEN Active	50	—	ns
3	SCP Rx Setup Time Before SCPCLK Rising Edge	35	—	ns
4	SCP Rx Hold Time After SCPCLK Rising Edge	20	—	ns
5	SCPCLK Period	250	—	ns
6	SCPCLK Pulse Width (Low)	50	—	ns
7	SCPCLK Pulse Width (High)	50	—	ns
8	SCP Tx Active Delay Time	0	50	ns
9	SCPCLK Falling Edge to SCP Tx High Impedance	—	30	ns
10	SCPEN Inactive Before SCPCLK Rising Edge	50	—	ns
11	SCPCLK Rising Edge Before SCPEN Inactive	50	—	ns
12	SCPCLK Falling Edge to SCP Tx Valid Data	0	50	ns

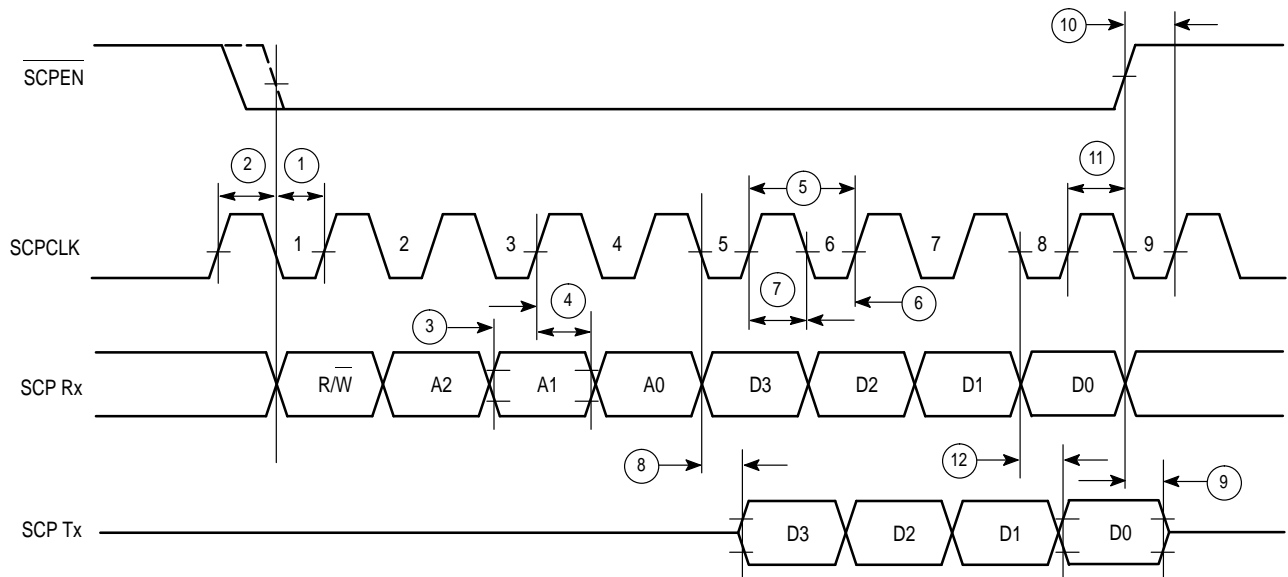


Figure 4. Serial Control Port Timing

DEVICE DESCRIPTION

The MC145745 is a selectable modem chip compatible with V.21 (300 baud full duplex asynchronous) and V.23 mode 2 (1200 baud half duplex asynchronous). This device includes a DTMF generator, DTMF receiver, call-progress tone detector, answer tone generator, and a receive timing control circuit. The built-in differential line driver has the capability of driving 0 dBm into a 600 Ω load with a 5.0 V single power supply. The MC145745 also includes a serial control port (SCP) that permits an MCU to exercise the built-in features.

The MC145745 provides an SCP interface to access an internal byte register which controls the device operations; such as function mode, carrier detect timing, transmit/receive gain, and transmit tones.

The transmit and receive amplifiers' gain is programmable by SCP register setting (BR4). The TLA pin is also available to adjust the transmit level that is determined by the resistor (RTLA) value connected between the pin and GND. The DTMF receiver amplifier includes a built-in AGC amplifier which automatically adjusts the input amplifier gain corresponding to the amplitude of the DTMF tone input signal. The AGC dynamic range can be selected in four options. The highest received sensitivity obtained is approximately -50 dBm when the dynamic range of the AGC amplifier is maximized.

The tone generator, which can generate 16 DTMF tones, is used at the terminal for transmission of the call and control tones. In addition, a single tone can be generated for tests and other uses.

Power down is amenable to software control by setting the byte register BR2. While the device is in the power down state, SCP still operates independently. There are two power down options available: power down 1 (the system clock operates alone) and power down 2 (the system clock stops).

The clock generator constitutes an oscillation circuit with a 3.58 MHz crystal connected between the X1 and X2 pins. This device also has a 7.15909 MHz external clock input (ECLK), which has a clock divider circuit for providing a 3.58 MHz clock to the internal circuits. If the ECLK pin is used, the X2 pin should be held low. If the oscillation circuit (X1 and X2) is used, the ECLK pin should be held low. This device also has a clock buffer output (CLKO), which can be used for providing a 3.58 MHz clock to the external device. Table 1 shows the clock input and output relations in the different modes.

Table 1. Clock Selection Truth Table

Function Mode	Input		Output
	ECLK (Pin 12)	X2 (Pin 11)	CLKO (Pin 9)
Power Down 1	0	fxtal	fxtal
	fext	0	fext/2
Power Down 2	0	X	0
	fext	0	0
Other Mode	0	fxtal	fxtal
	fext	0	fext/2

SERIAL CONTROL PORT (SCP INTERFACE)

The MC145745 is equipped with an SCP. The SCP is a full-duplex four-wire interface with control and status information passed to and from the internal register. The SCP is compatible with the Serial Peripheral Interface (SPI) of single chip MCUs used in other standard Motorola devices.

The SCP consists of SCP Tx, SCP Rx, SCPCLK, and SCPEN for transmitting control data, status data, and DTMF receive data between the MCU and the MC145745. The SCPCLK determines the transmission and reception data rates, and the SCPEN governs when the data transaction is to take place.

The operation/configuration of the MC145745 is programmed by setting the state of the internal register bit. The control, status, and data information resides in 4-bit wide registers which are accessed via the 8-bit SCP bus transaction.

The first four bits of the 8-bit bus transaction are the read/write direction and the register address. The next four bits are the data written to or read from the internal registers.

The SCP interface is independent of the 3.58 MHz master clock. It runs by using SCPCLK as the synchronizing signal.

SCP TRANSACTION

The SCP interface includes both read and write capabilities, which together comprise the SCP transaction. These SCP transaction functionalities are described below.

SCP Read

The SCP read action transaction is shown in Figure 5. During the SCP read action, the SCPEN pin must be in the low position. After SCPEN high goes low, then at the first four SCPCLK rising edges, Read/Write (R/W) bit and three address bits (A0 - A2) are shifted into the intermediate buffer register. If the read action is to be performed, the R/W bit must be at 1. And then, at the following four SCPCLK falling edges, the 4-bit chosen register data is shifted out on SCP Tx. SCPEN must be restored to high after this transaction, before another falling edge of SCPCLK is encountered. While SCP Tx is in output mode, SCP Rx is disregarded. Also, whenever SCP Tx is not transmitting data, a high impedance condition is maintained.

SCP Write

The SCP write action transaction is shown in Figure 6. During the SCP write action, the SCPEN pin must be in the low position. After SCPEN high goes low, then at the first four SCPCLK rising edges, R/W and three address bits (A0 - A2) are shifted into the intermediate buffer register. If the write action is to be performed, the R/W bit must be at 0. And then, at the following four SCPCLK rising edges, the 4-bit data is shifted in from SCP Rx and written into the chosen register. During the write operation, SCP Tx is in high impedance. If the chosen register and/or the chosen bit are "read only," the write action to it has no effect.

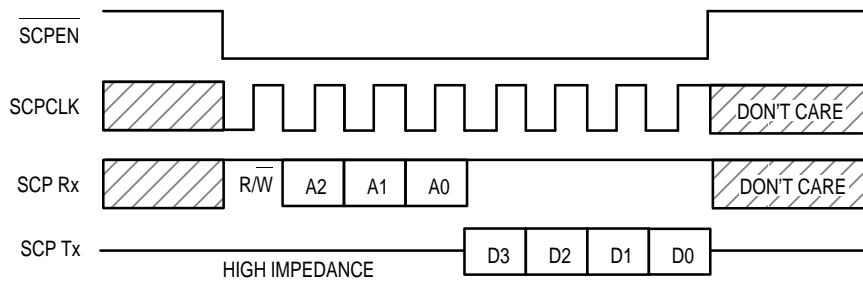


Figure 5. Serial Control Port Read Operation

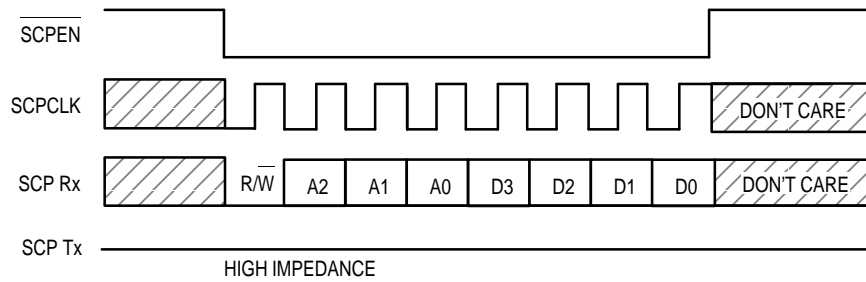


Figure 6. Serial Control Port Write Operation

DESCRIPTION OF THE SCP TERMINAL

The SCP bus is made up of the following four pins.

SCP Tx (Pin 20)

The SCP Tx pin outputs the control, status, and data information from the 4-bit wide register. During the read action transaction, a R/W bit and the three address bits are shifted in from SCP Rx at four SCPCLK rising edges, subsequent to SCPEN going low. After this, if a read operation is selected, SCP Tx comes out of the high impedance state at the first falling edge of SCPCLK, and outputs the first bit (MSB) of the chosen register. The remaining three bits of the chosen register are shifted out from SCP Tx at the following three SCPCLK falling edges. After the last bit (LSB) is shifted out, SCPEN must return to high. Then SCP Tx returns to the high impedance condition.

SCP Rx (Pin 21)

The SCP Rx pin is used to input control and data information into the 4-bit wide register. Data is shifted in from SCP Rx at SCPCLK rising edge, while SCPEN is low. The first bit is the R/W bit (1 = read, 0 = write), and the next three

bits address one of seven byte-registers. The address bits are shifted in MSB first. If the write action is chosen, the 4-bit data is shifted in from SCP Rx at the next four SCPCLK rising edges. If the read action is chosen, 4-bit data in the selected register is shifted out on SCP Tx. SCP Rx is ignored while SCPEN is high.

SCPCLK (Pin 22)

The SCPCLK pin is an input of standard clock for handshaking between SCP and MCU. After SCPEN comes low and the SCP transaction occurs, data is shifted from SCP Rx into the device at the rising edge of SCPCLK, and is shifted out on SCP Tx at the falling edge of SCPCLK. When SCPEN is high, SCPCLK is ignored (i.e., it may be continuous or it can operate in the burst mode).

SCPEN (Pin 23)

When the SCPEN pin is held low, the SCP transaction is enabled and control, status, and data information is transferred. If SCPEN is returned to high, the SCP action in progress is aborted, and the SCP Tx pin enters a high impedance condition.

SCP REGISTER MAP

The MC145745 register map is shown in Table 2. Seven of the 4-bit wide byte registers (BR) are provided in the register block. According to these published specifications, **BR** signifies each register and the address of SCP data. **R/W** is the read/write register, and **RO** is read only. If there is a high to low pulse on the RESET pin or the power supply turns off, this register returns to the default state.

The default condition that occurs after a power reset is as follows.

BR0	V.23 Receive, Transmit Enable
BR1	DTMF CDON = 30 ms, DTMF CDOFF = 25 ms FSK CDON = 450 ms, FSK CDOFF = 30 ms
BR2	FSK Mode
BR3	AGC Range = Maximum, Carrier Detect Level: High
BR4	Transmission Gain = Maximum
BR5	DTMF Transmission: 941 Hz + 1633 Hz
BR6	DTMF Reception: Unknown

Table 2. SCP Register Map

Register		b3 (Bit 3: MSB)	b2 (Bit 2)	b1 (Bit1)	b0 (Bit 0: LSB)
BR0 (R/W)		Modem Choice	FSK Channel	Transmission Enable	
	0	V.23	V.21: Answer V.23: Receive	Enable	
	1	V.21	V.21: Originate V.23: Transmit	Disable	
BR1 (R/W)		FSK CDT2	FSK CDT1	DTMF CDT2	DTMF CDT1
		T _{CDON} b3=0, b2=0 : 450 ms b3=0, b2=1 : 15 ms b3=1, b2=0 : 15 ms b3=1, b2=1 : 75 ms	T _{CDOFF} b3=0, b2=0 : 30 ms b3=0, b2=1 : 30 ms b3=1, b2=0 : 15 ms b3=1, b2=1 : 10 ms	T _{CDON} b1=0, b0=0 : 30 ms b1=0, b0=1 : 35 ms b1=1, b0=0 : 45 ms	T _{CDOFF} b1=0, b0=0 : 25 ms b1=0, b0=1 : 35 ms b1=1, b0=0 : 25 ms
BR2 (R/W) (see Table 3)		Function Mode 4	Function Mode 3	Function Mode 2	Function Mode 1
BR3 (R/W)		AGC Range 2	AGC Range 1	Carrier Detect Level 1	Test
	0	B3=0, b2=0 : - 5 to + 20 dB B3=0, b2=1 : - 5 to + 15 dB		High Level (Set when V _{CC} = 5 V)	Normal
	1	b3=1, b2=0 : - 5 to + 10 dB b3=1, b2=1 : - 5 to + 5 dB		Low Level (Set when V _{CC} = 3.6 V)	Test Mode
BR4 (R/W) (see Table 4)		Transmission Gain 4	Transmission Gain 3	Transmission Gain 2	Transmission Gain 1
BR5 (R/W) (see Table 5)		Tone Transmission 4	Tone Transmission 3	Tone Transmission 2	Tone Transmission 1
BR6 (RO) (see Table 5)		DTMF Reception 4	DTMF Reception 3	DTMF Reception 2	DTMF Reception 1

NOTES:

1. BR0 (b0) is a non-working bit.
2. DTMF Loopback data is entered into BR5 and output from the parallel port.

Table 3. Function Mode Setup

Register	b3	b2	b1	b0	Comments
FSK Mode	0	0	0	0	The device works as one of two FSK modes, V.21/V.23.
FSK Loopback	0	0	0	1	The FSK modulator is internally connected to the FSK demodulator.
CPT Detect Mode	0	0	1	0	The device works as the 400 Hz tone detector.
Answer Tone Transmission Mode	0	0	1	1	The device works as the 2100 Hz answer tone generator.
DTMF Transmission Mode	0	1	0	0	The device works as the DTMF generator. The receiver is disabled.
Single Tone Transmission Mode	0	1	0	1	The device outputs one of the eight tones used for DTMF.
Power Down 1	0	1	1	0	Whole circuits except for the SCP and the oscillator circuit are disabled.
Power Down 2	0	1	1	1	Whole circuits except for the SCP are disabled.
DTMF Reception Mode	1	0	0	0	The device works as the DTMF receiver. The received DTMF tone is demodulated to the 4-bit code, then output from the SCP interface and/or the parallel port.
DTMF Loopback	1	0	0	1	The DTMF generator is internally connected to the DTMF receiver, then the DTMF code written in BR5 is loopbacked to the parallel port (PB0 – PB3).

Table 4. Transmission Attenuator Range

Transmission Attenuator Range	b3	b2	b1	b0
0 dB	0	0	0	0
- 1 dB	0	0	0	1
- 2 dB	0	0	1	0
- 3 dB	0	0	1	1
- 4 dB	0	1	0	0
- 5 dB	0	1	0	1
- 6 dB	0	1	1	0
- 7 dB	0	1	1	1
- 8 dB	1	0	0	0
- 9 dB	1	0	0	1
- 10 dB	1	0	1	0
- 11 dB	1	0	1	1
- 12 dB	1	1	0	0
- 13 dB	1	1	0	1
- 14 dB	1	1	1	0
- 15 dB	1	1	1	1

Table 5. Tone Generator/Receiver Data

Key Input	Tone Generator			BR5/BR6 Setting or Data Output			
	Tone Receiver		Single Tone (Hz)	b3	b2	b1	b0
	Low Group Frequency (Hz)	High Group Frequency (Hz)					
D	941	1633	941	0	0	0	0
1	697	1209	697	0	0	0	1
2	697	1336	697	0	0	1	0
3	697	1477	697	0	0	1	1
4	770	1209	770	0	1	0	0
5	770	1336	770	0	1	0	1
6	770	1477	770	0	1	1	0
7	852	1209	852	0	1	1	1
8	852	1336	1336	1	0	0	0
9	852	1477	1477	1	0	0	1
0	941	1336	1336	1	0	1	0
*	941	1209	1209	1	0	1	1
#	941	1477	1477	1	1	0	0
A	697	1633	1633	1	1	0	1
B	770	1633	1633	1	1	1	0
C	852	1633	1633	1	1	1	1

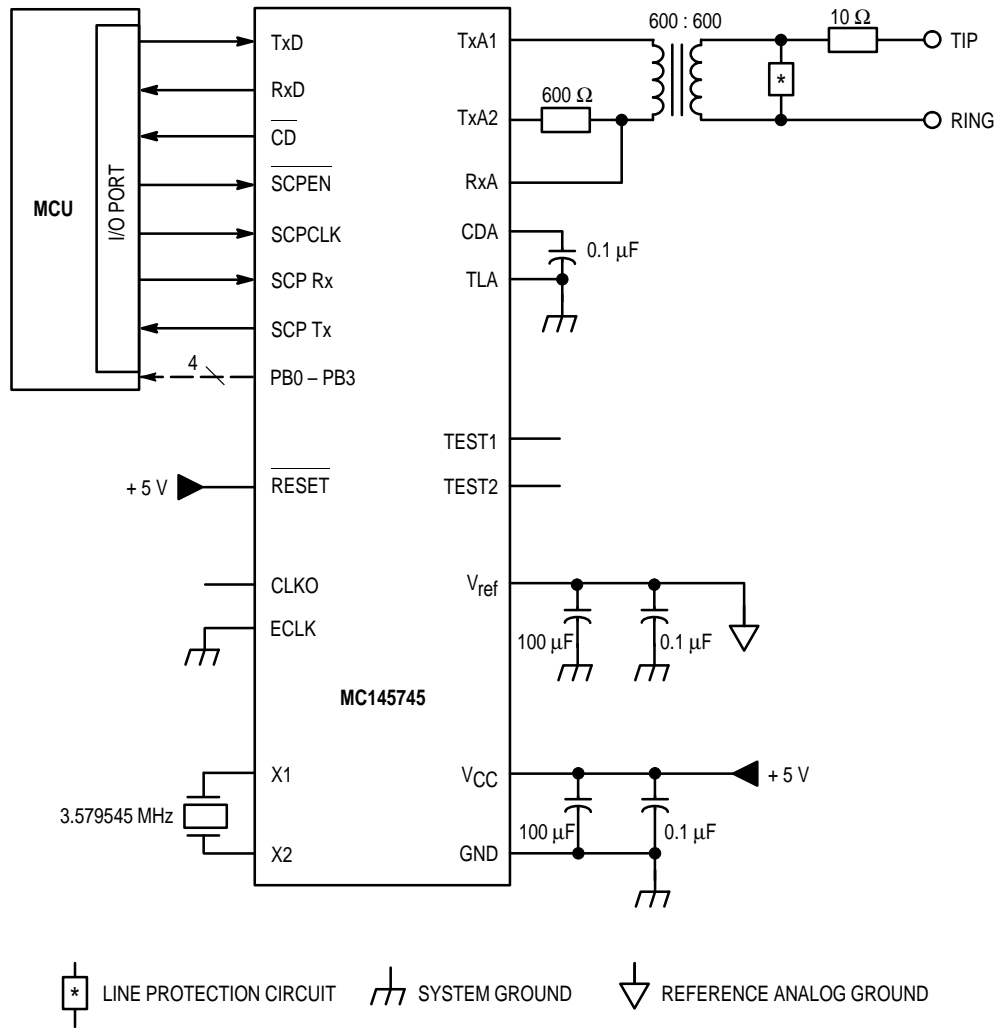
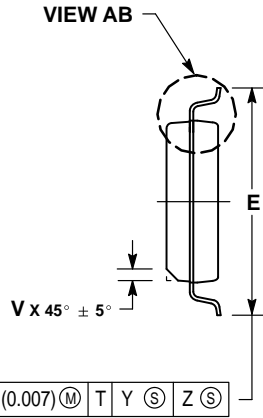
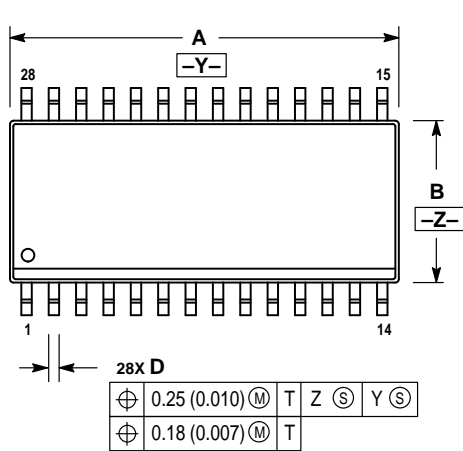


Figure 7. Application Circuit

PACKAGE DIMENSIONS

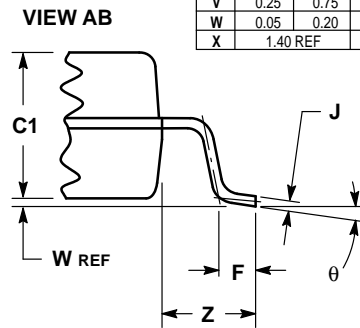
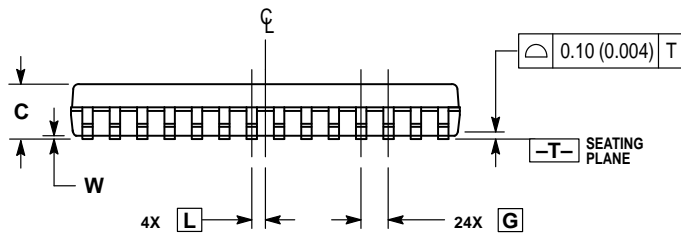
FW SUFFIX
SOIC
CASE 751M-01




NOTES:

1. DIMENSIONING AND TOLERANCING PER ANSI Y14.5M, 1982.
2. CONTROLLING DIMENSION: MILLIMETER.
3. DIMENSIONS A AND B DO NOT INCLUDE MOLD PROTRUSION. MAXIMUM MOLD PROTRUSION SHALL NOT EXCEED 0.15 (0.006) PER SIDE.
4. DIMENSION D DOES NOT INCLUDE DAMBAR PROTRUSION. DAMBAR PROTRUSION SHALL NOT CAUSE THE LEAD WIDTH TO EXCEED 0.65 (0.026).

DIM	MILLIMETERS		INCHES	
	MIN	MAX	MIN	MAX
A	17.80	18.03	0.701	0.710
B	7.40	7.62	0.291	0.300
C	—	2.65	—	0.104
C1	2.25	2.45	0.090	0.096
D	0.35	0.51	0.014	0.020
E	10.00	10.60	0.394	0.414
F	0.40	0.70	0.016	0.028
G	1.27 BSC		0.050 BSC	
J	0.10	0.25	0.004	0.010
L	0.635 BSC		0.025 BSC	
θ	—	8°	—	8°
V	0.25	0.75	0.010	0.030
W	0.05	0.20	0.002	0.008
X	1.40 REF		0.055 REF	



Motorola reserves the right to make changes without further notice to any products herein. Motorola makes no warranty, representation or guarantee regarding the suitability of its products for any particular purpose, nor does Motorola assume any liability arising out of the application or use of any product or circuit, and specifically disclaims any and all liability, including without limitation consequential or incidental damages. "Typical" parameters which may be provided in Motorola data sheets and/or specifications can and do vary in different applications and actual performance may vary over time. All operating parameters, including "Typicals" must be validated for each customer application by customer's technical experts. Motorola does not convey any license under its patent rights nor the rights of others. Motorola products are not designed, intended, or authorized for use as components in systems intended for surgical implant into the body, or other applications intended to support or sustain life, or for any other application in which the failure of the Motorola product could create a situation where personal injury or death may occur. Should Buyer purchase or use Motorola products for any such unintended or unauthorized application, Buyer shall indemnify and hold Motorola and its officers, employees, subsidiaries, affiliates, and distributors harmless against all claims, costs, damages, and expenses, and reasonable attorney fees arising out of, directly or indirectly, any claim of personal injury or death associated with such unintended or unauthorized use, even if such claim alleges that Motorola was negligent regarding the design or manufacture of the part. Motorola and  are registered trademarks of Motorola, Inc. Motorola, Inc. is an Equal Opportunity/Affirmative Action Employer.

How to reach us:

USA/EUROPE/Locations Not Listed: Motorola Literature Distribution;
P.O. Box 20912; Phoenix, Arizona 85036. 1-800-441-2447 or 602-303-5454

JAPAN: Nippon Motorola Ltd.; Tatsumi-SPD-JLDC, 6F Seibu-Butsuryu-Center,
3-14-2 Tatsumi Koto-Ku, Tokyo 135, Japan. 81-3-3521-8315

ASIA/PACIFIC: Motorola Semiconductors H.K. Ltd.; 8B Tai Ping Industrial Park,
1 Ting Kok Road, Tai Po, N.T., Hong Kong. 852-26629298



MOTOROLA



MC145745/D



This datasheet has been download from:

www.datasheetcatalog.com

Datasheets for electronics components.