

# M51953A,B/M51954A,B

## VOLTAGE DETECTING, SYSTEM RESETTING IC SERIES

### DESCRIPTION

M51953A,B/M51954A,B are semiconductor integrated circuits ideal for detecting supply voltage and resetting all types of logic circuits such as CPUs.

They include a built-in delay circuit to provide the desired retardation time simply by adding an external capacitor.

They find extensive applications, including circuits for battery checking, level detecting and waveform shaping.

### FEATURES

- Few external parts
- Large delay time with a capacitor of small capacitance ( $t_d \approx 100\text{ms}$ , at  $0.33\mu\text{F}$ ) (M51953, M51954)
- Low threshold operating voltage (Supply voltage to keep low-state at low supply voltage)  
 . . . . . 0.6V (TYP.) at  $R_L = 22\text{k}\Omega$
- Wide supply voltage range . . . . . 2 ~ 17V
- Sudden change in power supply has minimal effect on the ICs
- Wide application range
- SIL package of the same height as DIP (5-pin SIP)

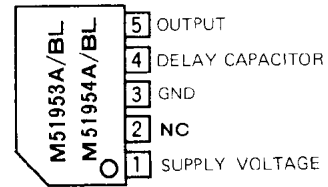
### APPLICATION

Reset circuit of Pch, Nch, CMOS, microcomputer, CPU and microcomputer, Reset of logic circuit, Battery check circuit, Switching circuit back-up voltage, Level detecting circuit, Waveform shaping circuit, Delay waveform generating circuit, DC-DC converter, Over voltage protection circuit.

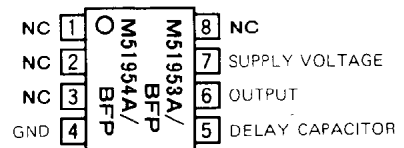
### RECOMMENDED OPERATING CONDITION

Supply voltage range . . . . . 2 ~ 17V

### PIN CONFIGURATION (TOP VIEW)



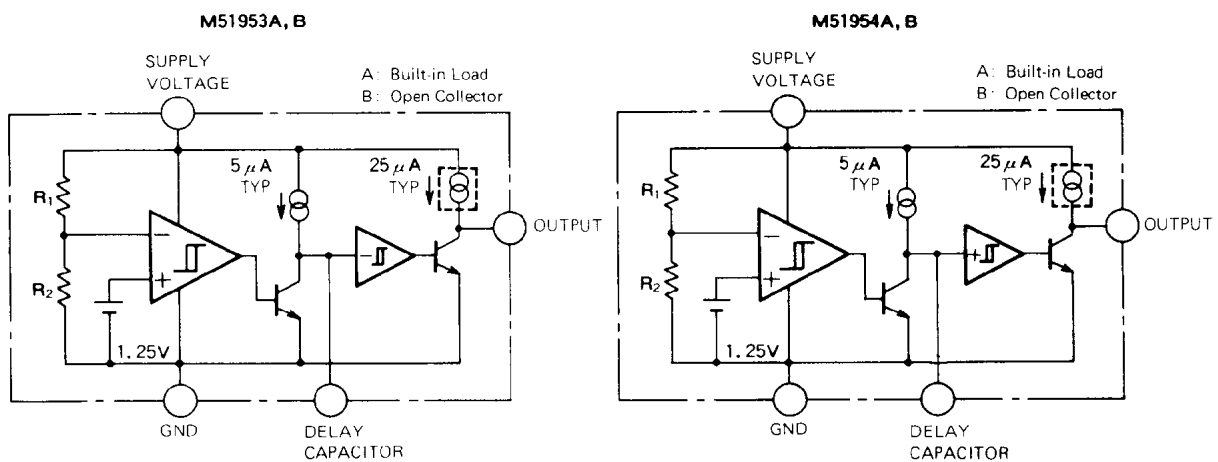
Outline 5P5T



Outline 8P2S-A

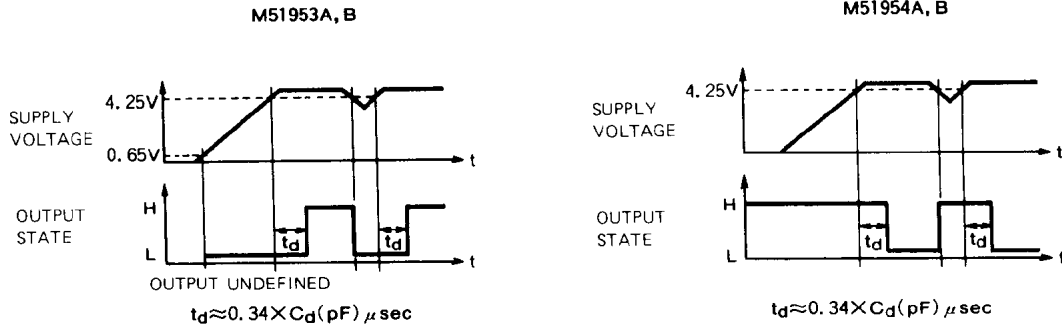
NC: NO CONNECTION

### BLOCK DIAGRAM



**VOLTAGE DETECTING, SYSTEM RESETTING IC SERIES**

**FUNCTION DIAGRAM**



**ABSOLUTE MAXIMUM RATINGS** (Ta = 25 °C, unless otherwise noted)

Symbol	Parameter	Conditions	Ratings	Unit	
V <sub>CC</sub>	Supply voltage		18	V	
I <sub>sink</sub>	Output Sink Current		6	mA	
V <sub>O</sub>	Output voltage	A Type (Output with constant current load)	V <sub>CC</sub>	V	
		B Type (Open collector output)	18		
P <sub>d</sub>	Power dissipation	5P SIL	450	mW	
		8P FLAT	300		
K <sub>θ</sub>	Thermal Derating	Ta ≥ 25 °C	5P SIL 8P FLAT	4.5 3	mW/°C
T <sub>opr</sub>	Operating temperature		-30 ~ +85	°C	
T <sub>stg</sub>	Storage temperature		-40 ~ +125	°C	

**ELECTRICAL CHARACTERISTICS** (Ta = 25 °C, unless otherwise noted)

"L" reset type	"H" reset type
<b>M51953A</b>	<b>M51954A</b>
<b>M51953B</b>	<b>M51954B</b>

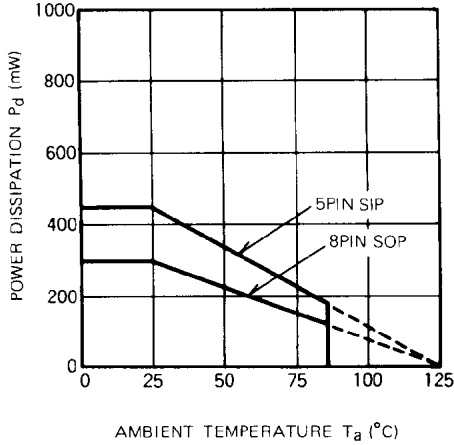
Symbol	Parameter	Test conditions	Limits			Unit
			Min	Typ	Max	
V <sub>S</sub>	Detecting voltage		4.05	4.25	4.45	V
ΔV <sub>S</sub>	Hysteresis voltage		30	50	80	mV
V <sub>S</sub> /ΔT	Detecting voltage Temperature Coefficient		—	0.01	—	%/°C
I <sub>CC</sub>	Circuit Current	Type A V <sub>CC</sub> = 5V	—	450	680	μA
		Type B V <sub>CC</sub> = 5V	—	420	630	
t <sub>pd</sub>	Delay Time	Ta = -30 ~ +85 °C, Cd = 0.01 μF (Note)	1.6	3.4	7	ms
I <sub>pd</sub>	Constant Current	V <sub>CC</sub> = 5V	-8	-5	-3	μA
V <sub>sat</sub>	Output Saturation Voltage	L reset type V <sub>CC</sub> = 4V, I <sub>sink</sub> = 4mA	—	0.2	0.4	V
		H reset type V <sub>CC</sub> = 5V, I <sub>sink</sub> = 4mA	—	0.2	0.4	
V <sub>OPL</sub>	Threshold Operating Voltage	L reset type Minimum supply voltage for IC operation	—	0.67	0.8	V
		R <sub>L</sub> = 2.2kΩ, V <sub>sat</sub> ≤ 0.4V R <sub>L</sub> = 100kΩ, V <sub>sat</sub> ≤ 0.4V	—	0.55	0.7	
I <sub>OH</sub>	Output Leak Current	Type B	—	—	30	nA
		Type B, Ta = -30 ~ +85 °C	—	—	1	
I <sub>OC</sub>	Output Load Current	Type A V <sub>CC</sub> = 5V, V <sub>O</sub> = 1/2V <sub>CC</sub>	-40	-25	-17	μA
V <sub>OH</sub>	Output High Voltage	Type A	V <sub>CC</sub> - 0.2	V <sub>CC</sub> - 0.06	—	V

Note: Delay time can be changed by changing delay capacitor for external capacitor types.  
 (Please refer to typical characteristics)

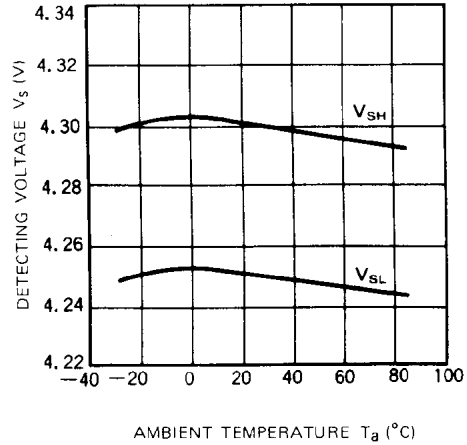
**VOLTAGE DETECTING, SYSTEM RESETTING IC SERIES**

**TYPICAL CHARACTERISTICS**

**TYPICAL CHARACTERISTICS  
 THERMAL DERATING  
 (MAXIMUM RATING)**

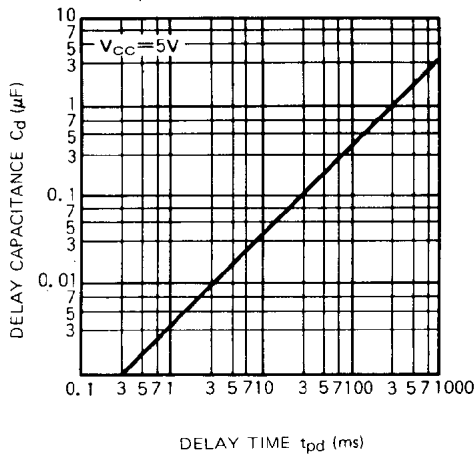


**DETECTING VOLTAGE VS.  
 AMBIENT TEMPERATURE  
 (Supply voltage detecting series)**



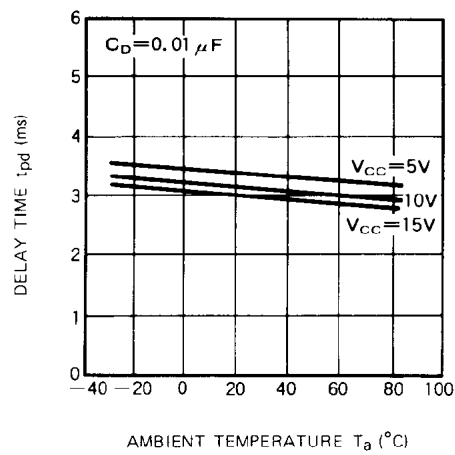
**DELAY CAPACITANCE VS.  
 DELAY TIME**

(M5195XX, External delay capacitor type)



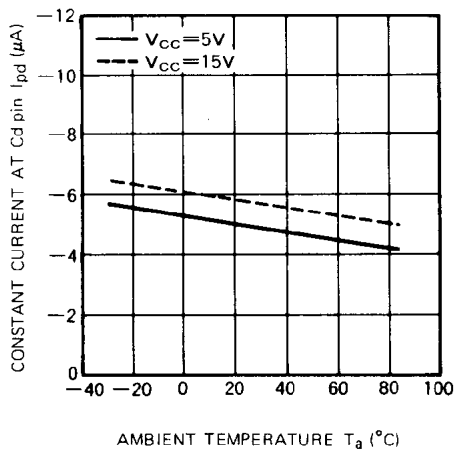
**DELAY TIME VS.  
 AMBIENT TEMPERATURE**

(M5195XX, External delay capacitor type)

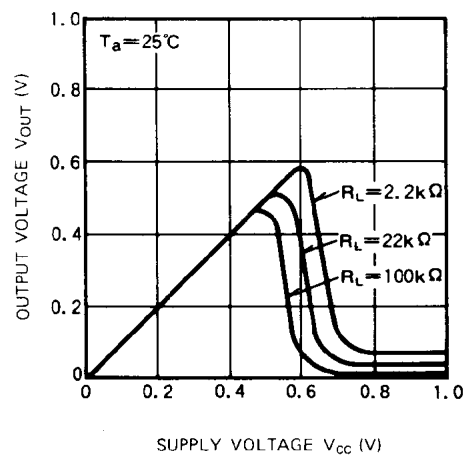


**CONSTANT CURRENT AT Cd PIN VS.  
 AMBIENT TEMPERATURE**

(M5195XX, External delay capacitor type)

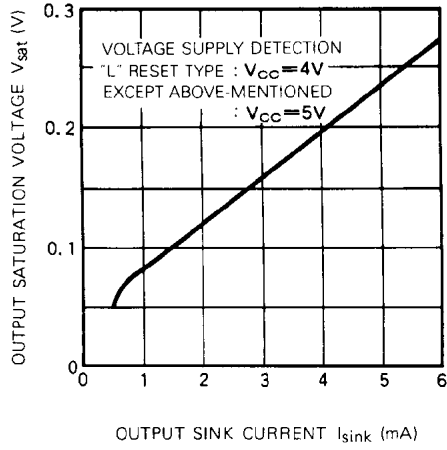


**THRESHOLD OPERATING VOLTAGE  
 ([L] reset type)**

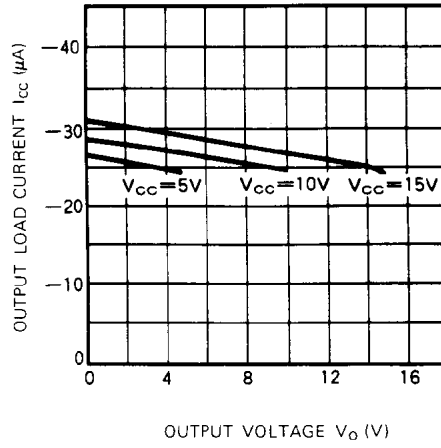


**VOLTAGE DETECTING, SYSTEM RESETTIC IC SERIES**

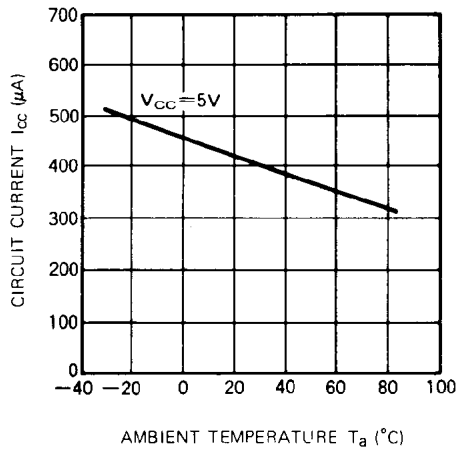
**OUTPUT SATURATION VOLTAGE VS.  
 OUTPUT SINK CURRENT**



**OUTPUT LOAD CURRENT VS.  
 OUTPUT VOLTAGE  
 (M519XXA)**

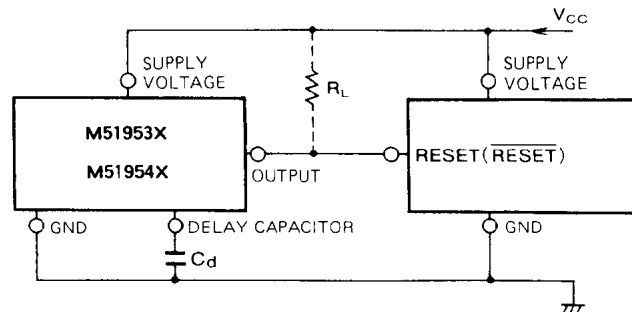


**CIRCUIT CURRENT VS.  
 AMBIENT TEMPERATURE  
 (M51953B, M51954B)**



**VOLTAGE DETECTING, SYSTEM RESETTIC IC SERIES**

**EXAMPLE OF APPLICATION CIRCUIT**  
**M5195XX Series Reset Circuit**

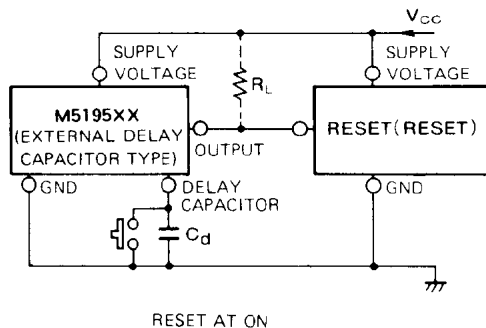


- Note 1. When the detecting supply voltage is 4.25V, M51951, M51952, M51953 and M51954 are used. In this case,  $R_1$  and  $R_2$  are not necessary. When the voltage is anything except 4.25V, M51955, M51956, M51957 and M51958 are used. In this case, the detecting supply voltage is  $1.25 \times \frac{(R_1 + R_2)}{R_2}$  (V) approximately. The detecting supply voltage can be set between 2V and 15V.
- Note 2. When the delay time is short, M51951, M51952, M51955 and M51956 are available. These ICs have a delay capacity and the delay time is about  $200\mu\text{s}$ . If a longer delay time is necessary, M51953, M51954, M51957 and M51958 are used. In this case, the delay time is about  $0.34 \times C_d$  (pF)  $\mu\text{sec}$ .

- Note 3. If M5195XX and the logic circuit have a common power supply, type A (built-in load type) can be applied whether a pull-up resistor is included in the logic circuit or not.
- Note 4. The logic circuit preferably should not have a pull-down resistor, but if one is present, add load resistor  $R_L$  to overcome the pull-down resistor.
- Note 5. When the reset terminal in the logic circuit is of the low reset type, M51951, M51953, M51955 and M51957 are used and when the terminal is of the high reset type, M51952, M51954, M51956 and M51958 are used.
- Note 6. When a negative supply voltage is used, supply voltage side of M5195XX and the GND side are connected to negative supply voltage respectively.

**Case of Using Other Reset Signal except Supply Voltage in the M5195XX Series**

(a) Reset at ON



(b) Reset at transistor ON

