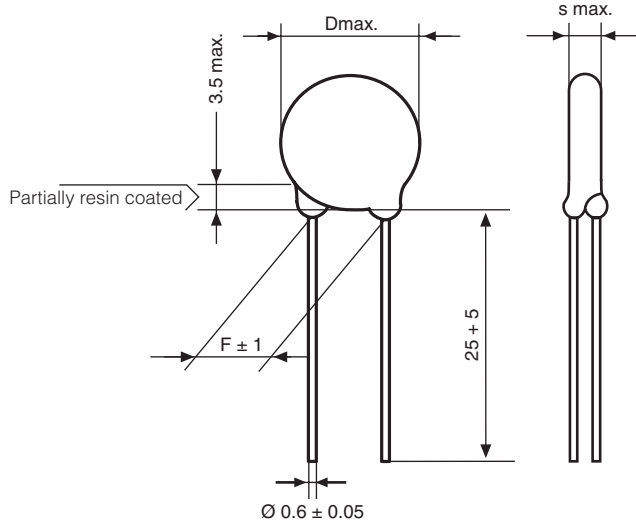


Ceramic Disc Capacitors, Class 1



* Dimensions in mm

COATING:

Phenol resin, dipped

TEMPERATURE COEFFICIENT OF CAPACITANCE:

See diagrams in General Information

Other ceramic dielectrics are available on request

TAPING AND SPECIAL LEAD CONFIGURATIONS:

On request

DESIGN:

Disc capacitors with phenol resin coating



RoHS
COMPLIANT

RATED VOLTAGE U_R :

500 V_{DC}

DIELECTRIC STRENGTH BETWEEN LEADS:

Component test

1250 V_{DC} 2 s

DISSIPATION FACTOR $\tan \delta$:

C < pF : see note in General Information

C < 30 pF : $\leq \left(\frac{100}{C} + 7\right) \cdot 10^{-4}$

C ≥ 30 pF : $\leq 10 \cdot 10^{-4}$

INSULATION RESISTANCE R_{is} :

$\geq 1 \cdot 10^{10} \Omega$

MARKING:

Capacitance value

Code acc. IEC 60062

Capacitance tolerance

with letter code

Ceramic dielectric

with colour band or letter code

(see General Information)

CATEGORY TEMPERATURE RANGE ϑ_A :

(- 40 to + 85) °C

CLIMATIC CATEGORY ACC. TO EN 60068-1:

40 / 085 / 21

ORDERING INFORMATION

RLA	927	C	AQ	BY0	S1	R
MODEL	CAPACITANCE VALUE	TOLERANCE	RATED VOLTAGE	LEAD CONFIGURATION	INTERNAL CODE	RoHS COMPLIANT



ORDERING INFORMATION, CERAMIC DISC CAPACITORS, 500 V (DC)							
C (pF)	TOL. (%)	D x s (mm)	F ± 1* (mm)	d ± 0.05* (mm)	CERAMIC CODE	ORDERING CODE	
CLASS 1 P 100							
1.0	C < 10 pF ± 0.25 pF ± 0.5 pF	7.5 x 5.0	5.0	0.6	Red color dot or Letter A	RLA910 AQ S1R	
1.1		7.5 x 5.0				RLA911 AQ S1R	
1.2		7.5 x 5.0				RLA912 AQ S1R	
1.3		7.5 x 5.0				RLA913 AQ S1R	
1.5		7.5 x 5.0				RLA915 AQ S1R	
1.6		7.5 x 5.0				RLA916 AQ S1R	
1.8		7.5 x 5.0				RLA918 AQ S1R	
2.0		7.5 x 5.0				RLA920 AQ S1R	
2.2		7.5 x 5.0				RLA922 AQ S1R	
2.4		7.5 x 5.0				RLA924 AQ S1R	
2.7		7.5 x 5.0				RLA927 AQ S1R	
3.0		7.5 x 5.0				RLA930 AQ S1R	
3.3		7.5 x 5.0				RLA933 AQ S1R	
3.6		C ≥ 10 pF				7.5 x 5.0	RLA936 AQ S1R
3.9		± 5 %				7.5 x 5.0	RLA939 AQ S1R
4.3		± 10 %				10.0 x 5.0	RLA943 AQ S1R
4.7						10.0 x 5.0	RLA947 AQ S1R
5.1						10.0 x 5.0	RLA951 AQ S1R
5.6						10.0 x 5.0	RLA956 AQ S1R
6.2						10.0 x 5.0	RLA962 AQ S1R
6.8		10.0 x 5.0	RLA968 AQ S1R				
7.5		10.0 x 5.0	RLA975 AQ S1R				
8.2		10.0 x 5.0	RLA982 AQ S1R				
9.1		14.0 x 5.0	RLA991 AQ S1R				
10		14.0 x 5.0	RLA100 AQ S1R				
CLASS 1 NP 0							
1.5	C < 10 pF ± 0.25 pF ± 0.5 pF	7.5 x 5.0	5.0	0.6	Black color dot or Letter C	RLC915 AQ S1R	
1.6		7.5 x 5.0				RLC916 AQ S1R	
1.8		7.5 x 5.0				RLC918 AQ S1R	
2.0		7.5 x 5.0				RLC920 AQ S1R	
2.2		7.5 x 5.0				RLC922 AQ S1R	
2.4		7.5 x 5.0				RLC924 AQ S1R	
2.7		7.5 x 5.0				RLC927 AQ S1R	
3.0		7.5 x 5.0				RLC930 AQ S1R	
3.3		7.5 x 5.0				RLC933 AQ S1R	
3.6		7.5 x 5.0				RLC936 AQ S1R	
3.9		7.5 x 5.0				RLC939 AQ S1R	
4.3		7.5 x 5.0				RLC943 AQ S1R	
4.7		7.5 x 5.0				RLC947 AQ S1R	
5.1		7.5 x 5.0				RLC951 AQ S1R	
5.6		7.5 x 5.0				RLC956 AQ S1R	
6.2		C ≥ 10 pF				7.5 x 5.0	RLC962 AQ S1R
6.8		± 5 %				7.5 x 5.0	RLC968 AQ S1R
7.5		± 10 %				7.5 x 5.0	RLC975 AQ S1R
8.2						7.5 x 5.0	RLC982 AQ S1R
9.1						7.5 x 5.0	RLC991 AQ S1R
10		10.0 x 5.0	RLC100 AQ S1R				
11		10.0 x 5.0	RLC110 AQ S1R				
12		10.0 x 5.0	RLC120 AQ S1R				
13		10.0 x 5.0	RLC130 AQ S1R				
15		10.0 x 5.0	RLC150 AQ S1R				
16		14.0 x 5.0	RLC160 AQ S1R				
18		14.0 x 5.0	RLC180 AQ S1R				
20		14.0 x 5.0	RLC200 AQ S1R				
22		14.0 x 5.0	RLC220 AQ S1R				

* Standard lead configuration, other lead spacing and diameter available on request.

ORDERING CODE			
□	7th digit	Capacitance tolerance	± 0.25 pF = C ± 0.5 pF = D ± 5 % = J ± 10 % = K
□□□	10th / 11th / 12th digit	Lead configuration (See General Information)	
R	14th digit	RoHS Compliant Component	



ORDERING INFORMATION, CERAMIC DISC CAPACITORS, 500 V (DC)										
C (pF)	TOL. (%)	D x s (mm)	F ± 1* (mm)	d ± 0.05* (mm)	CERAMIC CODE	ORDERING CODE				
CLASS 1 N 150										
2.2	C < 10 pF ± 0.25 pF ± 0.5 pF	7.5 x 5.0	5.0	0.6	Orange color dot or Letter P	RLP922 AQ □□ S1R				
2.4		7.5 x 5.0				RLP924 AQ □□ S1R				
2.7		7.5 x 5.0				RLP927 AQ □□ S1R				
3.0		7.5 x 5.0				RLP930 AQ □□ S1R				
3.3		7.5 x 5.0				RLP933 AQ □□ S1R				
3.6		7.5 x 5.0				RLP936 AQ □□ S1R				
3.9		7.5 x 5.0				RLP939 AQ □□ S1R				
4.3		7.5 x 5.0				RLP943 AQ □□ S1R				
4.7		7.5 x 5.0				RLP947 AQ □□ S1R				
5.1		7.5 x 5.0				RLP951 AQ □□ S1R				
5.6		7.5 x 5.0				RLP956 AQ □□ S1R				
6.2		7.5 x 5.0				RLP962 AQ □□ S1R				
6.8		7.5 x 5.0				RLP968 AQ □□ S1R				
7.5		7.5 x 5.0				RLP975 AQ □□ S1R				
8.2		7.5 x 5.0				RLP982 AQ □□ S1R				
9.1		C ≥ 10 pF ± 5 % ± 10 %				7.5 x 5.0	7.5			RLP991 AQ □□ S1R
10		7.5 x 5.0				RLP100 AQ □□ S1R				
11		10.0 x 5.0				RLP110 AQ □□ S1R				
12		10.0 x 5.0				RLP120 AQ □□ S1R				
13		10.0 x 5.0				RLP130 AQ □□ S1R				
15		10.0 x 5.0				RLP150 AQ □□ S1R				
16		10.0 x 5.0				RLP160 AQ □□ S1R				
18		10.0 x 5.0				RLP180 AQ □□ S1R				
20		10.0 x 5.0				RLP200 AQ □□ S1R				
22		10.0 x 5.0				RLP220 AQ □□ S1R				
24		10.0 x 5.0				RLP240 AQ □□ S1R				
27		14.0 x 5.0				RLP270 AQ □□ S1R				
30	14.0 x 5.0	RLP300 AQ □□ S1R								
33	14.0 x 5.0	RLP330 AQ □□ S1R								
CLASS 1 N 750										
3.3	C < 10 pF ± 0.25 pF ± 0.5 pF	7.5 x 5.0	5.0	0.6	Violet color dot or Letter U	RLU933 AQ □□ S1R				
3.6		7.5 x 5.0				RLU936 AQ □□ S1R				
3.9		7.5 x 5.0				RLU939 AQ □□ S1R				
4.3		7.5 x 5.0				RLU943 AQ □□ S1R				
4.7		7.5 x 5.0				RLU947 AQ □□ S1R				
5.1		7.5 x 5.0				RLU951 AQ □□ S1R				
5.6		7.5 x 5.0				RLU956 AQ □□ S1R				
6.2		7.5 x 5.0				RLU962 AQ □□ S1R				
6.8		7.5 x 5.0				RLU968 AQ □□ S1R				
7.5		7.5 x 5.0				RLU975 AQ □□ S1R				
8.2		7.5 x 5.0				RLU982 AQ □□ S1R				
9.1		7.5 x 5.0				RLU991 AQ □□ S1R				
10		7.5 x 5.0				RLU100 AQ □□ S1R				
11		7.5 x 5.0				RLU110 AQ □□ S1R				
12		7.5 x 5.0				RLU120 AQ □□ S1R				
13		7.5 x 5.0				RLU130 AQ □□ S1R				
15		7.5 x 5.0				RLU150 AQ □□ S1R				
16		C ≥ 10 pF ± 5 % ± 10 %				7.5 x 5.0	7.5			RLU160 AQ □□ S1R
18		7.5 x 5.0				RLU180 AQ □□ S1R				
20		7.5 x 5.0				RLU200 AQ □□ S1R				
22		7.5 x 5.0				RLU220 AQ □□ S1R				
24		7.5 x 5.0				RLU240 AQ □□ S1R				
27		7.5 x 5.0				RLU270 AQ □□ S1R				
30		10.0 x 5.0				RLU300 AQ □□ S1R				
33		10.0 x 5.0				RLU330 AQ □□ S1R				
36		10.0 x 5.0				RLU360 AQ □□ S1R				
39		10.0 x 5.0				RLU390 AQ □□ S1R				
43	10.0 x 5.0	RLU430 AQ □□ S1R								
47	10.0 x 5.0	RLU470 AQ □□ S1R								
51	10.0 x 5.0	RLU510 AQ □□ S1R								
56	10.0 x 5.0	RLU560 AQ □□ S1R								
62	14.0 x 5.0	RLU620 AQ □□ S1R								
68	14.0 x 5.0	RLU680 AQ □□ S1R								

* Standard lead configuration, other lead spacing and diameter available on request.



ORDERING INFORMATION, CERAMIC DISC CAPACITORS, 500 V (DC)						
C (pF)	TOL. (%)	D x s (mm)	F ± 1* (mm)	d ± 0.05* (mm)	CERAMIC CODE	ORDERING CODE
CLASS 1 N 1500						
3.3	C < 10 pF ± 0.25 pF ± 0.5 pF	7.0 x 5.0	5.0	0.6	Orange / Orange color dots or Letter V	RLV933 AQ S1R
3.6		7.0 x 5.0				RLV936 AQ S1R
3.9		7.0 x 5.0				RLV939 AQ S1R
4.3		7.0 x 5.0				RLV943 AQ S1R
4.7		7.0 x 5.0				RLV947 AQ S1R
5.1		7.0 x 5.0				RLV951 AQ S1R
5.6		7.0 x 5.0				RLV956 AQ S1R
6.2		7.0 x 5.0				RLV962 AQ S1R
6.8		7.0 x 5.0				RLV968 AQ S1R
7.5		7.0 x 5.0				RLV975 AQ S1R
8.2		7.0 x 5.0				RLV982 AQ S1R
9.1		7.0 x 5.0				RLV991 AQ S1R
10		7.0 x 5.0				RLV100 AQ S1R
11		7.0 x 5.0				RLV110 AQ S1R
12		7.0 x 5.0				RLV120 AQ S1R
13		7.0 x 5.0				RLV130 AQ S1R
15		7.0 x 5.0				RLV150 AQ S1R
16		7.0 x 5.0				RLV160 AQ S1R
18		7.0 x 5.0				RLV180 AQ S1R
20		C ≥ 10 pF ± 5 % ± 10 %				7.0 x 5.0
22	7.0 x 5.0	RLV220 AQ S1R				
24	7.0 x 5.0	RLV240 AQ S1R				
27	7.0 x 5.0	RLV270 AQ S1R				
30	7.0 x 5.0	RLV300 AQ S1R				
33	7.0 x 5.0	RLV330 AQ S1R				
36	7.0 x 5.0	RLV360 AQ S1R				
39	7.0 x 5.0	RLV390 AQ S1R				
43	7.0 x 5.0	RLV430 AQ S1R				
47	7.0 x 5.0	RLV470 AQ S1R				
51		10.0 x 5.0				RLV510 AQ S1R
56		10.0 x 5.0				RLV560 AQ S1R
62		10.0 x 5.0				RLV620 AQ S1R
68		10.0 x 5.0				RLV680 AQ S1R
75		10.0 x 5.0				RLV750 AQ S1R
82		14.0 x 5.0				RLV820 AQ S1R
91		14.0 x 5.0				RLV910 AQ S1R
100		14.0 x 5.0				RLV101 AQ S1R

* Standard lead configuration, other lead spacing and diameter available on request.

ORDERING CODE			
<input type="checkbox"/>	7th digit	Capacitance tolerance	± 0.25 pF = C ± 0.5 pF = D ± 5 % = J ± 10 % = K
<input type="checkbox"/>	10th / 11th / 12th digit	Lead configuration (See General Information)	
R	14th digit	RoHS Compliant Component	



ORDERING INFORMATION, CERAMIC DISC CAPACITORS, 500 V (DC)										
C (pF)	TOL. (%)	D x s (mm)	F ± 1* (mm)	d ± 0.05* (mm)	CERAMIC CODE	ORDERING CODE				
CLASS 1 N 2200										
5.6	C < 10 pF ± 0.25 pF ± 0.5 pF	7.0 x 5.0	5.0	0.6	Yellow / Orange color dots or Letter K	RLK956 AQ □□ S1R				
6.2		7.0 x 5.0				RLK962 AQ □□ S1R				
6.8		7.0 x 5.0				RLK968 AQ □□ S1R				
7.5		7.0 x 5.0				RLK975 AQ □□ S1R				
8.2		7.0 x 5.0				RLK982 AQ □□ S1R				
9.1		7.0 x 5.0				RLK991 AQ □□ S1R				
10		7.0 x 5.0				RLK100 AQ □□ S1R				
11		7.0 x 5.0				RLK110 AQ □□ S1R				
12		7.0 x 5.0				RLK120 AQ □□ S1R				
13		7.0 x 5.0				RLK130 AQ □□ S1R				
15		7.0 x 5.0				RLK150 AQ □□ S1R				
16		7.0 x 5.0				RLK160 AQ □□ S1R				
18		7.0 x 5.0				RLK180 AQ □□ S1R				
20		7.0 x 5.0				RLK200 AQ □□ S1R				
22		7.0 x 5.0				RLK220 AQ □□ S1R				
24		7.0 x 5.0				RLK240 AQ □□ S1R				
27		7.0 x 5.0				RLK270 AQ □□ S1R				
30		7.0 x 5.0				RLK300 AQ □□ S1R				
33		7.0 x 5.0				RLK330 AQ □□ S1R				
36		C ≥ 10 pF ± 5 % ± 10 %				7.0 x 5.0	7.5	0.6	Yellow / Orange color dots or Letter K	RLK360 AQ □□ S1R
39						7.0 x 5.0				RLK390 AQ □□ S1R
43						7.0 x 5.0				RLK430 AQ □□ S1R
47						7.0 x 5.0				RLK470 AQ □□ S1R
51						7.0 x 5.0				RLK510 AQ □□ S1R
56						7.0 x 5.0				RLK560 AQ □□ S1R
62						10.0 x 5.0				RLK620 AQ □□ S1R
68						10.0 x 5.0				RLK680 AQ □□ S1R
75						10.0 x 5.0				RLK750 AQ □□ S1R
82						10.0 x 5.0				RLK820 AQ □□ S1R
91						10.0 x 5.0				RLK910 AQ □□ S1R
100						10.0 x 5.0				RLK101 AQ □□ S1R
110						10.0 x 5.0				RLK111 AQ □□ S1R
120						10.0 x 5.0				RLK121 AQ □□ S1R
130	14.0 x 5.0	RLK131 AQ □□ S1R								
150	14.0 x 5.0	RLK151 AQ □□ S1R								
160	14.0 x 5.0	RLK161 AQ □□ S1R								
180	14.0 x 5.0	RLK181 AQ □□ S1R								
CLASS 1 N 5600										
36	± 5 % ± 10 %	7.0 x 5.0	5.0	0.6	Blue / Orange color dots or Letter M	RLM360 AQ □□ S1R				
39		7.0 x 5.0				RLM390 AQ □□ S1R				
47		7.0 x 5.0				RLM470 AQ □□ S1R				
56		7.0 x 5.0				RLM560 AQ □□ S1R				
68		7.0 x 5.0				RLM680 AQ □□ S1R				
82		7.0 x 5.0				RLM820 AQ □□ S1R				
100		7.0 x 5.0				RLM101 AQ □□ S1R				
120		7.0 x 5.0				RLM121 AQ □□ S1R				
150		10.0 x 5.0				RLM151 AQ □□ S1R				
180		10.0 x 5.0				RLM181 AQ □□ S1R				
220		10.0 x 5.0				RLM221 AQ □□ S1R				
270		10.0 x 5.0				RLM271 AQ □□ S1R				
330		10.0 x 5.0				RLM331 AQ □□ S1R				

* Standard lead configuration, other lead spacing and diameter available on request.

ORDERING CODE			
□	7th digit	Capacitance tolerance	± 0.25 pF = C ± 0.5 pF = D ± 5 % = J ± 10 % = K
□□□	10th / 11th / 12th digit	Lead configuration (See General Information)	
R	14th digit	RoHS Compliant Component	



Disclaimer

All product specifications and data are subject to change without notice.

Vishay Intertechnology, Inc., its affiliates, agents, and employees, and all persons acting on its or their behalf (collectively, "Vishay"), disclaim any and all liability for any errors, inaccuracies or incompleteness contained herein or in any other disclosure relating to any product.

Vishay disclaims any and all liability arising out of the use or application of any product described herein or of any information provided herein to the maximum extent permitted by law. The product specifications do not expand or otherwise modify Vishay's terms and conditions of purchase, including but not limited to the warranty expressed therein, which apply to these products.

No license, express or implied, by estoppel or otherwise, to any intellectual property rights is granted by this document or by any conduct of Vishay.

The products shown herein are not designed for use in medical, life-saving, or life-sustaining applications unless otherwise expressly indicated. Customers using or selling Vishay products not expressly indicated for use in such applications do so entirely at their own risk and agree to fully indemnify Vishay for any damages arising or resulting from such use or sale. Please contact authorized Vishay personnel to obtain written terms and conditions regarding products designed for such applications.

Product names and markings noted herein may be trademarks of their respective owners.