

## LH0024 High Slew Rate Operational Amplifier

### General Description

The LH0024/LH0024C is a very wide bandwidth, high slew rate operational amplifier intended to fulfill a wide variety of high speed applications such as buffers to A to D and D to A converters and high speed comparators. The device exhibits useful gain in excess of 50 MHz making it possible to use in video applications requiring higher gain accuracy than is usually associated with such amplifiers.

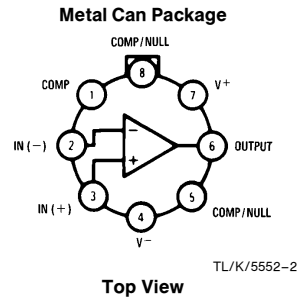
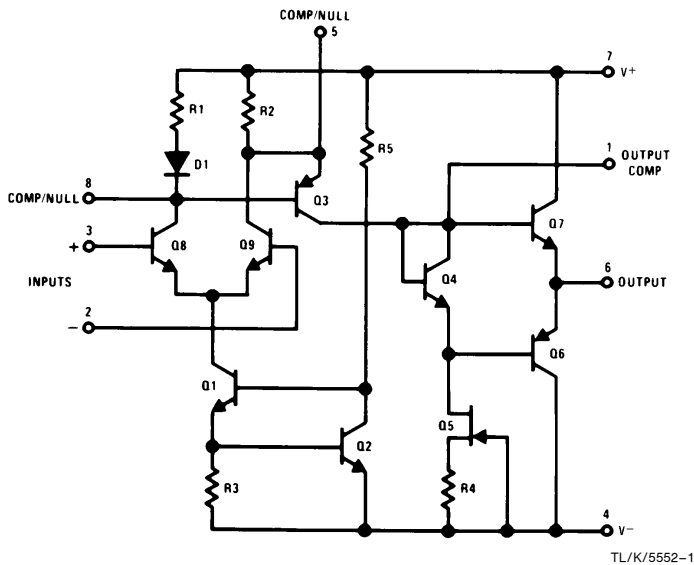
The LH0024/LH0024C's combination of wide bandwidth and high slew rate make it an ideal choice for a variety of high speed applications including active filters, oscillators, and comparators as well as many high speed general purpose applications.

The LH0024 is guaranteed over the temperature range  $-55^{\circ}\text{C}$  to  $+125^{\circ}\text{C}$ , whereas the LH0024C is guaranteed  $-25^{\circ}\text{C}$  to  $+85^{\circ}\text{C}$ .

### Features

- Very high slew rate— $500\text{ V}/\mu\text{s}$  at  $A_V = +1$
- Wide small signal bandwidth—70 MHz
- Wide large signal bandwidth—15 MHz
- High output swing— $\pm 12\text{V}$  into 1k
- Low input offset—2 mV
- Pin compatible with standard IC op amps

### Schematic and Connection Diagrams



**Note:** For heat sink use Thermalloy 2230-5 series.

**Order Number LH0024H,  
LH0024H-MIL or LH0024CH  
See NS Package Number H08B**

## Absolute Maximum Ratings

If Military/Aerospace specified devices are required, please contact the National Semiconductor Sales Office/Distributors for availability and specifications. (Note 2)

Supply Voltage	±18V
Input Voltage	Equal to Supply
Differential Input Voltage	±5V
Power Dissipation	600 mW

Storage Temperature Range            −65°C to +150°C  
 Lead Temperature (Soldering, 10 sec.)   260°C  
 ESD rating to be determined.

## Operating Temperature Range

LH0024	−55°C to +125°C
LH0024C	−25°C to +85°C

## DC Electrical Characteristics (Note 1)

Parameter	Conditions	LH0024			LH0024C			Units
		Min	Typ	Max	Min	Typ	Max	
Input Offset Voltage	$R_S = 50\Omega$ , $T_A = 25^\circ\text{C}$ $R_S = 50\Omega$		2.0	4.0 6.0		5.0	8.0 10.0	mV mV
Average Temperature Coefficient of Input Offset Voltage	$V_S = \pm 15\text{V}$ , $R_S = 50\Omega$ −55°C to 125°C		−20			−25		$\mu\text{V}/^\circ\text{C}$
Input Offset Current	$T_A = 25^\circ\text{C}$		2.0	5.0 10.0		4.0	15.0 20.0	$\mu\text{A}$ $\mu\text{A}$
Input Bias Current	$T_A = 25^\circ\text{C}$		15	30 40		18	40 50	$\mu\text{A}$ $\mu\text{A}$
Supply Current			12.5	15		12.5	15	mA
Large Signal Voltage Gain	$V_S = \pm 15\text{V}$ , $R_L = 1\text{k}$ , $T_A = 25^\circ\text{C}$ $V_S = \pm 15\text{V}$ , $R_L = 1\text{k}$	4 3	5		3 2.5	4		V/mV V/mV
Input Voltage Range	$V_S = \pm 15\text{V}$	±12	±13		±12	±13		V
Output Voltage Swing	$V_S = \pm 15\text{V}$ , $R_L = 1\text{k}$ , $T_A = 25^\circ\text{C}$ $V_S = \pm 15\text{V}$ , $R_L = 1\text{k}$	±12 ±10	±13		±10 ±10	±13		V V
Slew Rate	$V_S = \pm 15\text{V}$ , $R_L = 1\text{k}$ , $C_1 = C_2 = 30\text{ pF}$ , $A_V = +1$ , $T_A = 25^\circ\text{C}$	400	500		250	400		V/ $\mu\text{s}$
Common-Mode Rejection Ratio	$V_S = \pm 15\text{V}$ , $\Delta V_{IN} = \pm 10\text{V}$ , $R_S = 50\Omega$		60			60		dB
Power Supply Rejection Ratio	$\pm 5\text{V} \leq V_S \leq \pm 18\text{V}$ , $R_S = 50\Omega$		60			60		dB

**Note 1:** These specifications apply for  $V_S = \pm 15\text{V}$  and  $-55^\circ\text{C}$  to  $+125^\circ\text{C}$  for the LH0024 and  $-25^\circ\text{C}$  to  $+85^\circ\text{C}$  for the LH0024C.

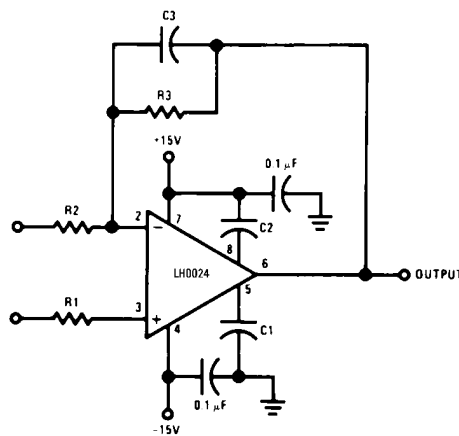
**Note 2:** Refer to RETS0024 for LH0024H military specifications.

## Frequency Compensation

TABLE I

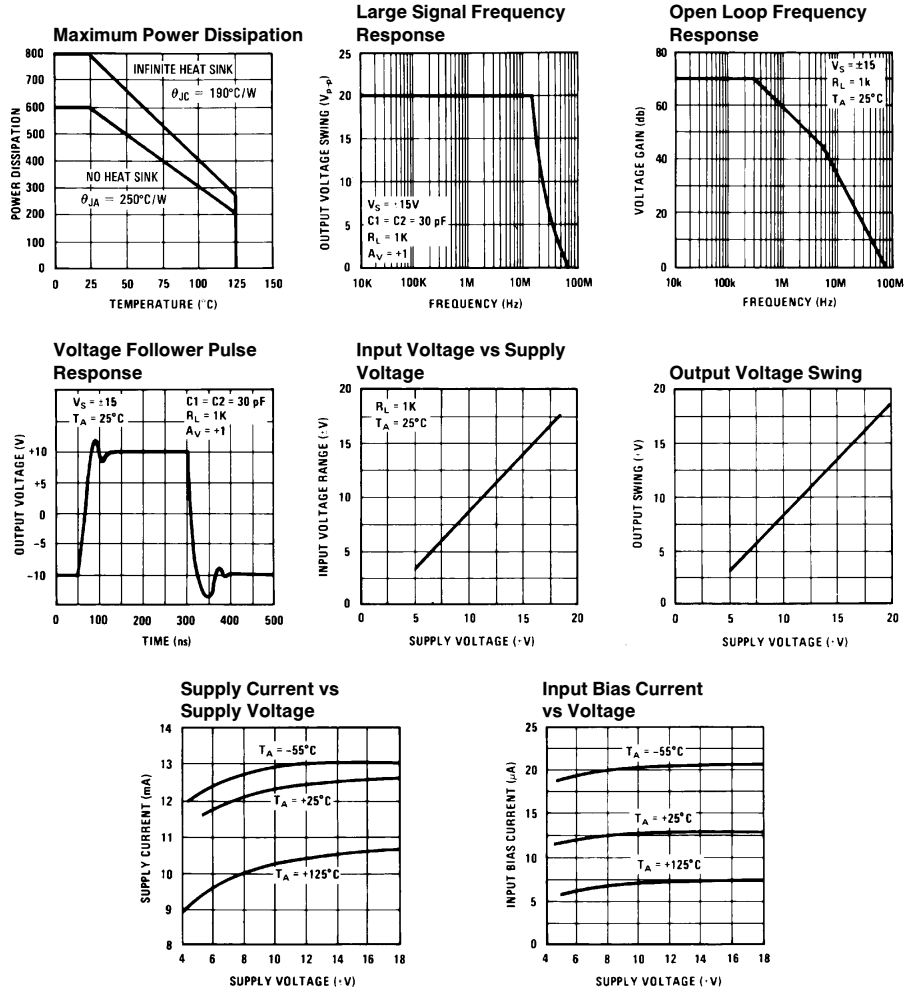
Closed Loop Gain	C <sub>1</sub>	C <sub>2</sub>	C <sub>3</sub>
100	0	0	0
20	0	0	0
10	0	20 pF	1 pF
1	30 pF	30 pF	3 pF

Frequency Compensation Circuit



TL/K/5552-6

## Typical Performance Characteristics



TL/K/5552-7

## Applications Information

### LAYOUT CONSIDERATIONS

The LH0024/LH0024C, like most high speed circuitry, is sensitive to layout and stray capacitance. Power supplies should be by-passed as near the device as is practicable with at least  $0.01\ \mu\text{F}$  disc type capacitors. Compensating capacitors should also be placed as close to device as possible.

### COMPENSATION RECOMMENDATIONS

Compensation schemes recommended in Table 1 work well under typical conditions. However, poor layout and long lead lengths can degrade the performance of the LH0024 or cause the device to oscillate. Slight adjustments in the values for C1, C2, and C3 may be necessary for a given layout. In particular, when operating at a gain of  $-1$ , C3 may re-

quire adjustment in order to perfectly cancel the input capacitance of the device.

**When operating the LH0024/LH0024C at a gain of  $+1$ , the value of R1 should be at least  $1\ \text{k}\Omega$ .**

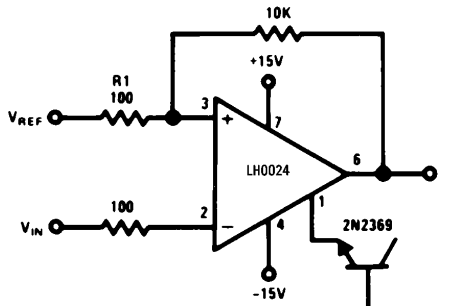
The case of the LH0024 is electrically isolated from the circuit; hence, it may be advantageous to drive the case in order to minimize stray capacitances.

### HEAT SINKING

The LH0024/LH0024C is specified for operation without the use of an explicit heat sink. However, internal power dissipation does cause a significant temperature rise. Improved offset voltage drift can be obtained by limiting the temperature rise with a clip-on heat sink such as the Thermalloy 2228B or equivalent.

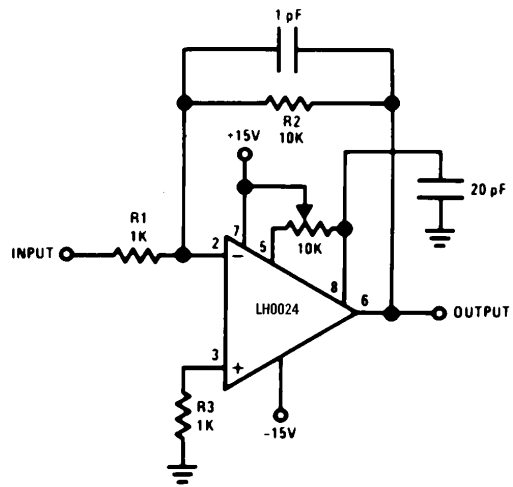
## Typical Applications

TTL Compatible Comparator



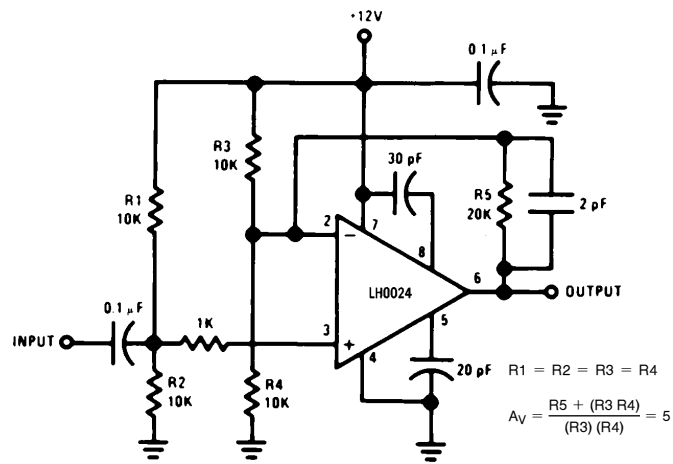
TL/K/5552-3

Offset Null



TL/K/5552-4

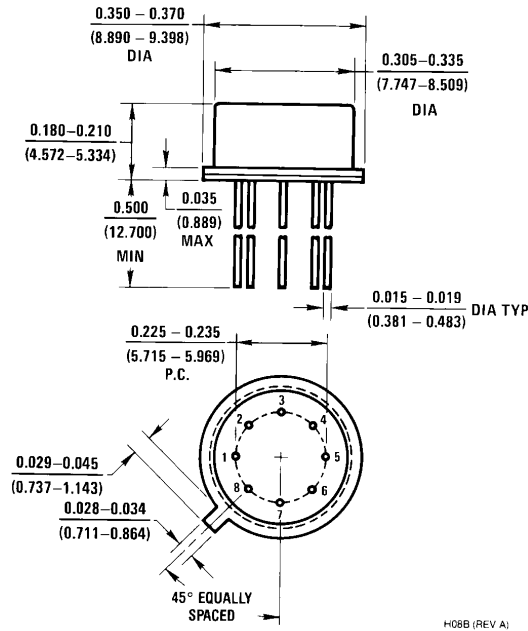
Video Amplifier



TL/K/5552-5



**Physical Dimensions** inches (millimeters)



H08B (REV A)

**Metal Can Package (H)**  
**Order Number LH0024H, LH0024H-MIL or LH0024CH**  
**NS Package Number H08B**

**LIFE SUPPORT POLICY**

NATIONAL'S PRODUCTS ARE NOT AUTHORIZED FOR USE AS CRITICAL COMPONENTS IN LIFE SUPPORT DEVICES OR SYSTEMS WITHOUT THE EXPRESS WRITTEN APPROVAL OF THE PRESIDENT OF NATIONAL SEMICONDUCTOR CORPORATION. As used herein:

1. Life support devices or systems are devices or systems which, (a) are intended for surgical implant into the body, or (b) support or sustain life, and whose failure to perform, when properly used in accordance with instructions for use provided in the labeling, can be reasonably expected to result in a significant injury to the user.
2. A critical component is any component of a life support device or system whose failure to perform can be reasonably expected to cause the failure of the life support device or system, or to affect its safety or effectiveness.



**National Semiconductor Corporation**  
 1111 West Bardin Road  
 Arlington, TX 76017  
 Tel: 1(800) 272-9959  
 Fax: 1(800) 737-7018

**National Semiconductor Europe**  
 Fax: (+49) 0-180-530 85 86  
 Email: cnjwge@tevm2.nsc.com  
 Deutsch Tel: (+49) 0-180-530 85 85  
 English Tel: (+49) 0-180-532 78 32  
 Français Tel: (+49) 0-180-532 93 58  
 Italiano Tel: (+49) 0-180-534 16 80

**National Semiconductor Hong Kong Ltd.**  
 19th Floor, Straight Block,  
 Ocean Centre, 5 Canton Rd.  
 Tsimshatsui, Kowloon  
 Hong Kong  
 Tel: (852) 2737-1600  
 Fax: (852) 2736-9960

**National Semiconductor Japan Ltd.**  
 Tel: 81-043-299-2309  
 Fax: 81-043-299-2408

National does not assume any responsibility for use of any circuitry described, no circuit patent licenses are implied and National reserves the right at any time without notice to change said circuitry and specifications.