



# FAST CMOS OCTAL D REGISTERS (3-STATE)

*IDT54/74FCT574/A/C*

## FEATURES:

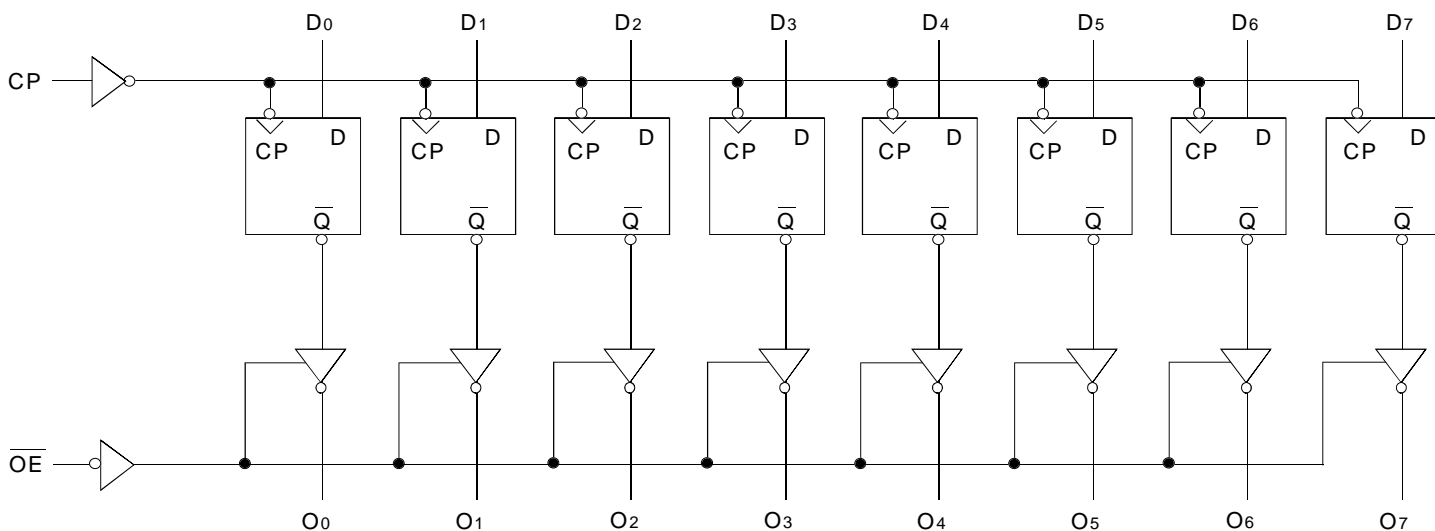
- IDT54/74FCT574 equivalent to FAST™ speed and drive
- IDT54/74FCT574A up to 30% faster than FAST
- IDT54/74FCT574C up to 50% faster than FAST
- $I_{OL} = 48\text{mA}$  (commercial) and  $32\text{mA}$  (military)
- CMOS power levels (1mW typ. static)
- Edge triggered master/slave, D-type flip-flops
- Buffered common clock and buffered common three-state control
- Military product compliant to MIL-STD-883, Class B
- Meets or exceeds JEDEC Standard 18 specifications
- Available in the following packages:
  - Commercial: SOIC
  - Military: CERDIP, LCC, CERPACK

## DESCRIPTION:

The FCT574 is an 8-bit register built using an advanced dual metal CMOS technology. These registers consist of eight D-type flip-flops with a buffered common clock and buffered 3-state output control. When the output enable ( $\overline{OE}$ ) is low, the eight outputs are enabled. When the  $\overline{OE}$  input is high, the outputs are in the high-impedance state.

Input data meeting the set-up and hold time requirements of the D inputs is transferred to the O outputs on the low-to-high transition of the clock input. The FCT574 has non-inverting outputs with respect to the data at the D inputs.

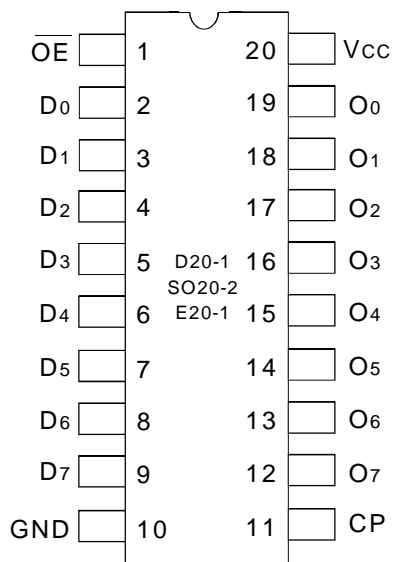
## FUNCTIONAL BLOCK DIAGRAM



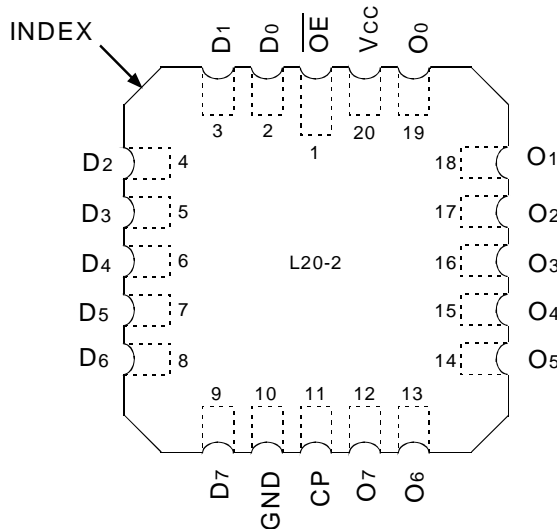
**MILITARY AND COMMERCIAL TEMPERATURE RANGES**

**JUNE 2000**

### PIN CONFIGURATION



CERDIP/ SOIC/ CERPACK  
TOP VIEW



LCC  
TOP VIEW

### ABSOLUTE MAXIMUM RATINGS(1)

| Symbol               | Rating                               | Commercial  | Military    | Unit |
|----------------------|--------------------------------------|-------------|-------------|------|
| VTERM <sup>(2)</sup> | Terminal Voltage with Respect to GND | -0.5 to +7  | -0.5 to +7  | V    |
| VTERM <sup>(3)</sup> | Terminal Voltage with Respect to GND | -0.5 to Vcc | -0.5 to Vcc | V    |
| TA                   | Operating Temperature                | 0 to +70    | -55 to +125 | °C   |
| TBIAS                | Temperature Under Bias               | -55 to +125 | -65 to +135 | °C   |
| TSTG                 | Storage Temperature                  | -55 to +125 | -65 to +150 | °C   |
| PT                   | Power Dissipation                    | 0.5         | 0.5         | W    |
| IOUT                 | DC Output Current                    | 120         | 120         | mA   |

8-link

**NOTES:**

1. Stresses greater than those listed under ABSOLUTE MAXIMUM RATINGS may cause permanent damage to the device. This is a stress rating only and functional operation of the device at these or any other conditions above those indicated in the operational sections of this specification is not implied. Exposure to absolute maximum rating conditions for extended periods may affect reliability. No terminal voltage may exceed Vcc by +.5V unless otherwise noted.
2. Input and Vcc terminals only.
3. Outputs and I/O terminals only.

### CAPACITANCE (TA = +25°C, f = 1.0MHz)

| Symbol | Parameter <sup>(1)</sup> | Conditions | Typ. | Max. | Unit |
|--------|--------------------------|------------|------|------|------|
| CIN    | Input Capacitance        | VIN = 0V   | 6    | 10   | pF   |
| COUT   | Output Capacitance       | VOUT = 0V  | 8    | 12   | pF   |

8-link

**NOTE:**

1. This parameter is measured at characterization but not tested.

### PIN DESCRIPTION

| Pin Names | Description  |
|-----------|--|
| DN        | D Flip-Flop Data Inputs  |
| CP        | Clock Pulse for the register. Enters data on LOW-to-HIGH transition. |
| ON        | 3-State Outputs (true)   |
| OE        | Active LOW 3-state Output Enable Input                               |

### FUNCTION TABLE (1)

| Function      | Inputs |    |    | Outputs | Internal |
|---------------|--------|----|----|---------|----------|
|               | OE     | CP | DN | ON      | QN       |
| Hi-Z          | H      | L  | X  | Z       | NC       |
|               | H      | H  | X  | Z       | NC       |
| Load Register | L      | ↑  | L  | L       | H        |
|               | L      | ↑  | H  | H       | L        |
|               | H      | ↑  | L  | Z       | H        |
|               | H      | ↑  | H  | Z       | L        |

**NOTE:**

1. H = HIGH Voltage Level  
L = LOW Voltage Level  
X = Don't Care  
Z = High-Impedance  
NC = No Change  
↑ = LOW-to-HIGH transition

## DC ELECTRICAL CHARACTERISTICS OVER OPERATING RANGE

Following Conditions Apply Unless Otherwise Specified:  $V_{LC} = 0.2V$ ;  $V_{HC} = V_{CC} - 0.2V$

Commercial:  $T_A = 0^\circ C$  to  $+70^\circ C$ ,  $V_{CC} = 5.0V \pm 5\%$ ; Military:  $T_A = -55^\circ C$  to  $+125^\circ C$ ,  $V_{CC} = 5.0V \pm 10\%$

| Symbol    | Parameter                                    | Test Conditions <sup>(1)</sup>                                |                         | Min.     | Typ. <sup>(2)</sup> | Max.               | Unit    |
|-----------|--|---|-------------------------|----------|---------------------|--------------------|---------|
| $V_{IH}$  | Input HIGH Level                             | Guaranteed Logic HIGH Level                                   |                         | 2        | —                   | —                  | V       |
| $V_{IL}$  | Input LOW Level                              | Guaranteed Logic LOW Level                                    |                         | —        | —                   | 0.8                | V       |
| $I_{IH}$  | Input HIGH Current                           | $V_{CC} = \text{Max.}$  | $V_i = V_{CC}$          | —        | —                   | 5                  | $\mu A$ |
| $I_{IL}$  | Input LOW Current                            |   | $V_i = 2.7V$            | —        | —                   | 5 <sup>(4)</sup>   |         |
|           |  |   | $V_i = 0.5V$            | —        | —                   | -5 <sup>(4)</sup>  |         |
|           |  |   | $V_i = GND$             | —        | —                   | -5                 |         |
| $I_{OZH}$ | Off State (High Impedance)<br>Output Current | $V_{CC} = \text{Max.}$  | $V_o = V_{CC}$          | —        | —                   | 10                 | $\mu A$ |
| $I_{OZL}$ |  |   | $V_o = 2.7V$            | —        | —                   | 10 <sup>(4)</sup>  |         |
|           |  |   | $V_o = 0.5V$            | —        | —                   | -10 <sup>(4)</sup> |         |
|           |  |   | $V_o = GND$             | —        | —                   | -10                |         |
| $V_{IK}$  | Clamp Diode Voltage                          | $V_{CC} = \text{Min.}, I_N = -18mA$                           |                         | —        | -0.7                | -1.2               | V       |
| $I_{OS}$  | Short Circuit Current                        | $V_{CC} = \text{Max.}^{(3)}, V_o = GND$                       |                         | -60      | -120                | —                  | mA      |
| $V_{OH}$  | Output HIGH Voltage                          | $V_{CC} = 3V, V_{IN} = V_{LC}$ or $V_{HC}, I_{OH} = -32\mu A$ |                         | $V_{HC}$ | $V_{CC}$            | —                  | V       |
|           |  | $V_{CC} = \text{Min.}$<br>$V_{IN} = V_{IH}$ or $V_{IL}$       | $I_{OH} = -300\mu A$    | $V_{HC}$ | $V_{CC}$            | —                  |         |
|           |  |   | $I_{OH} = -12mA$ MIL.   | 2.4      | 4.3                 | —                  |         |
|           |  |   | $I_{OH} = -15mA$ COM'L. | 2.4      | 4.3                 | —                  |         |
| $V_{OL}$  | Output LOW Voltage                           | $V_{CC} = 3V, V_{IN} = V_{LC}$ or $V_{HC}, I_{OL} = 300\mu A$ |                         | —        | GND                 | $V_{LC}$           | V       |
|           |  | $V_{CC} = \text{Min.}$<br>$V_{IN} = V_{IH}$ or $V_{IL}$       | $I_{OL} = 300\mu A$     | —        | GND                 | $V_{LC}^{(4)}$     |         |
|           |  |   | $I_{OL} = 32mA$ MIL.    | —        | 0.3                 | 0.5                |         |
|           |  |   | $I_{OL} = 48mA$ COM'L.  | —        | 0.3                 | 0.5                |         |

### NOTES:

1. For conditions shown as Max. or Min., use appropriate value specified under Electrical Characteristics for the applicable device type.
2. Typical values are at  $V_{CC} = 5.0V$ ,  $+25^\circ C$  ambient and maximum loading.
3. Not more than one output should be shorted at one time. Duration of the short circuit test should not exceed one second.
4. This parameter is guaranteed but not tested.

## POWER SUPPLY CHARACTERISTICS

$V_{LC} = 0.2V$ ;  $V_{HC} = V_{CC} - 0.2V$

| Symbol           | Parameter   | Test Conditions <sup>(1)</sup>   |   | Min. | Typ. <sup>(2)</sup> | Max.                | Unit       |
|------------------|---|--|---|------|---------------------|---------------------|------------|
| I <sub>CC</sub>  | Quiescent Power Supply Current                    | V <sub>CC</sub> = Max.<br>V <sub>IN</sub> ≥ V <sub>HC</sub> ; V <sub>IN</sub> ≤ V <sub>LC</sub>  |   | —    | 0.2                 | 1.5                 | mA         |
| ΔI <sub>CC</sub> | Quiescent Power Supply Current<br>TTL Inputs HIGH | V <sub>CC</sub> = Max.<br>V <sub>IN</sub> = 3.4V <sup>(3)</sup>  |   | —    | 0.5                 | 2                   | mA         |
| I <sub>CCD</sub> | Dynamic Power Supply<br>Current <sup>(4)</sup>    | V <sub>CC</sub> = Max.<br>Outputs Open<br>$\overline{OE} = GND$<br>One Input Toggling<br>50% Duty Cycle  | V <sub>IN</sub> ≥ V <sub>HC</sub><br>V <sub>IN</sub> ≤ V <sub>LC</sub>          | —    | 0.15                | 0.25                | mA/<br>MHz |
| I <sub>C</sub>   | Total Power Supply Current <sup>(6)</sup>         | V <sub>CC</sub> = Max.<br>Outputs Open<br>f <sub>CP</sub> = 10MHz<br>50% Duty Cycle<br>$\overline{OE} = GND$<br>fi = 5MHz<br>50% Duty Cycle<br>One Bit Toggling      | V <sub>IN</sub> ≥ V <sub>HC</sub><br>V <sub>IN</sub> ≤ V <sub>LC</sub><br>(FCT) | —    | 1.7                 | 4                   | mA         |
|                  |   |  | V <sub>IN</sub> = 3.4V<br>V <sub>IN</sub> = GND                                 | —    | 2.2                 | 6                   |            |
|                  |   | V <sub>CC</sub> = Max.<br>Outputs Open<br>f <sub>CP</sub> = 10MHz<br>50% Duty Cycle<br>$\overline{OE} = GND$<br>Eight Bits Toggling<br>fi = 2.5MHz<br>50% Duty Cycle | V <sub>IN</sub> ≥ V <sub>HC</sub><br>V <sub>IN</sub> ≤ V <sub>LC</sub><br>(FCT) | —    | 4                   | 7.8 <sup>(5)</sup>  |            |
|                  |   |  | V <sub>IN</sub> = 3.4V<br>V <sub>IN</sub> = GND                                 | —    | 6.2                 | 16.8 <sup>(5)</sup> |            |

### NOTES:

- For conditions shown as Max. or Min., use appropriate value specified under Electrical Characteristics for the applicable device type.
- Typical values are at V<sub>CC</sub> = 5.0V, +25°C ambient.
- Per TTL driven input (V<sub>IN</sub> = 3.4V); all other inputs at V<sub>CC</sub> or GND.
- This parameter is not directly testable, but is derived for use in Total Power Supply calculations.
- Values for these conditions are examples of the I<sub>CC</sub> formula. These limits are guaranteed but not tested.
- I<sub>C</sub> = I<sub>QUIESCENT</sub> + I<sub>INPUTS</sub> + I<sub>DYNAMIC</sub>  
 $I_C = I_{CC} + \Delta I_{CC} \cdot D_{HNT} + I_{CCD} (f_{CP}/2 + f_i N_i)$   
 I<sub>CC</sub> = Quiescent Current  
 ΔI<sub>CC</sub> = Power Supply Current for a TTL High Input (V<sub>IN</sub> = 3.4V)  
 D<sub>H</sub> = Duty Cycle for TTL Inputs High  
 N<sub>T</sub> = Number of TTL Inputs at D<sub>H</sub>  
 I<sub>CCD</sub> = Dynamic Current Caused by an Output Transition Pair (HLH or LHL)  
 f<sub>CP</sub> = Clock Frequency for Register Devices (Zero for Non-Register Devices)  
 f<sub>i</sub> = Input Frequency  
 N<sub>i</sub> = Number of Inputs at f<sub>i</sub>  
 All currents are in milliamps and all frequencies are in megahertz.

### SWITCHING CHARACTERISTICS OVER OPERATING RANGE

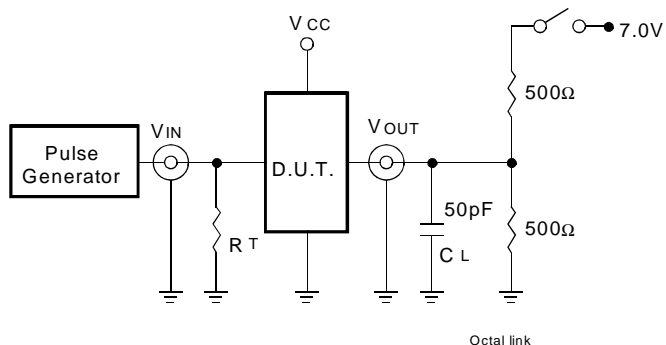
| Symbol                               | Parameter  | Conditions <sup>(1)</sup> | 54/74FCT574         |      |                     |      | 54/74FCT574A        |      |                     |      | 54/74FCT574C        |      |                     |      | Unit |
|--------------------------------------|--|---------------------------|---------------------|------|---------------------|------|---------------------|------|---------------------|------|---------------------|------|---------------------|------|------|
|                                      |  |                           | Com'l.              |      | Mil.                |      | Com'l.              |      | Mil.                |      | Com'l.              |      | Mil.                |      |      |
|                                      |  |                           | Min. <sup>(2)</sup> | Max. | Min. <sup>(2)</sup> | Max. | Min. <sup>(2)</sup> | Max. | Min. <sup>(2)</sup> | Max. | Min. <sup>(2)</sup> | Max. | Min. <sup>(2)</sup> | Max. |      |
| t <sub>PLH</sub><br>t <sub>PHL</sub> | Propagation Delay<br>CP to ON                    | CL = 50pF<br>RL = 500Ω    | 2                   | 10   | 2                   | 11   | 2                   | 6.5  | 2                   | 7.2  | 2                   | 5.2  | 2                   | 6.2  | ns   |
| t <sub>PZH</sub><br>t <sub>PZL</sub> | Output Enable Time                               |                           | 1.5                 | 12.5 | 1.5                 | 14   | 1.5                 | 6.5  | 1.5                 | 7.5  | 1.5                 | 5.5  | 1.5                 | 6.2  | ns   |
| t <sub>PHZ</sub><br>t <sub>PLZ</sub> | Output Disable Time                              |                           | 1.5                 | 8    | 1.5                 | 8    | 1.5                 | 5.5  | 1.5                 | 6.5  | 1.5                 | 5    | 1.5                 | 5.7  | ns   |
| t <sub>SU</sub>                      | Set-up Time HIGH<br>or LOW, D <sub>N</sub> to CP |                           | 2                   | —    | 2                   | —    | 2                   | —    | 2                   | —    | 2                   | —    | 2                   | —    | ns   |
| t <sub>H</sub>                       | Hold Time HIGH<br>or LOW, D <sub>N</sub> to CP   |                           | 1.5                 | —    | 1.5                 | —    | 1.5                 | —    | 1.5                 | —    | 1.5                 | —    | 1.5                 | —    | ns   |
| t <sub>w</sub>                       | CP Pulse Width<br>HIGH or LOW                    |                           | 7                   | —    | 7                   | —    | 5                   | —    | 6                   | —    | 5                   | —    | 6                   | —    | ns   |

**NOTES:**

1. See test circuit and waveforms.
2. Minimum limits are guaranteed but not tested on Propagation Delays.

## TEST CIRCUITS AND WAVEFORMS

### TEST CIRCUITS FOR ALL OUTPUTS



### SWITCH POSITION

| Test            | Switch |
|-----------------|--------|
| Open Drain      | Closed |
| Disable Low     |        |
| Enable Low      |        |
| All Other Tests | Open   |

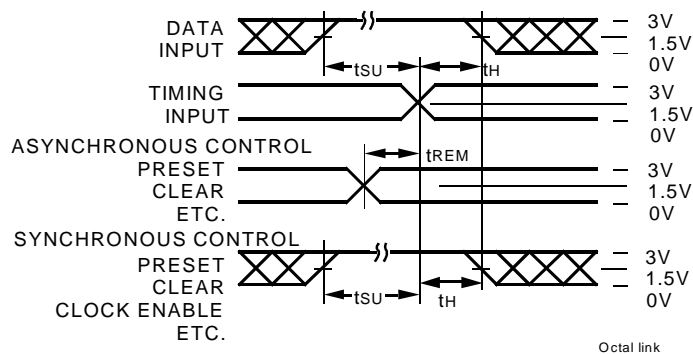
8-link

#### DEFINITIONS:

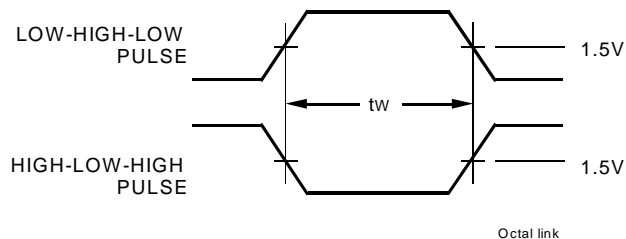
$C_L$  = Load capacitance: includes jig and probe capacitance.

$R_T$  = Termination resistance: should be equal to  $Z_{OUT}$  of the Pulse Generator.

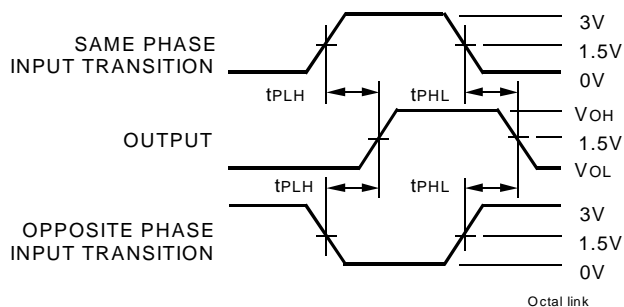
### SET-UP, HOLD, AND RELEASE TIMES



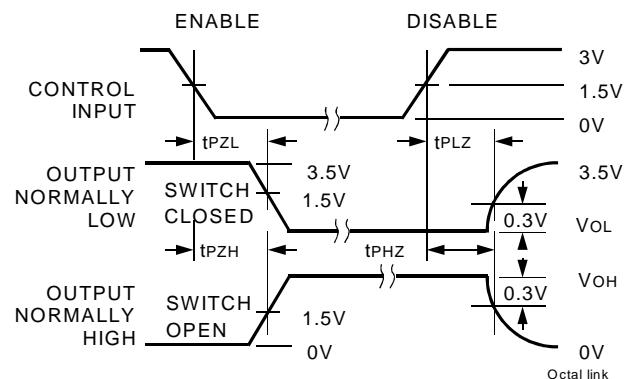
### PULSE WIDTH



### PROPAGATION DELAY



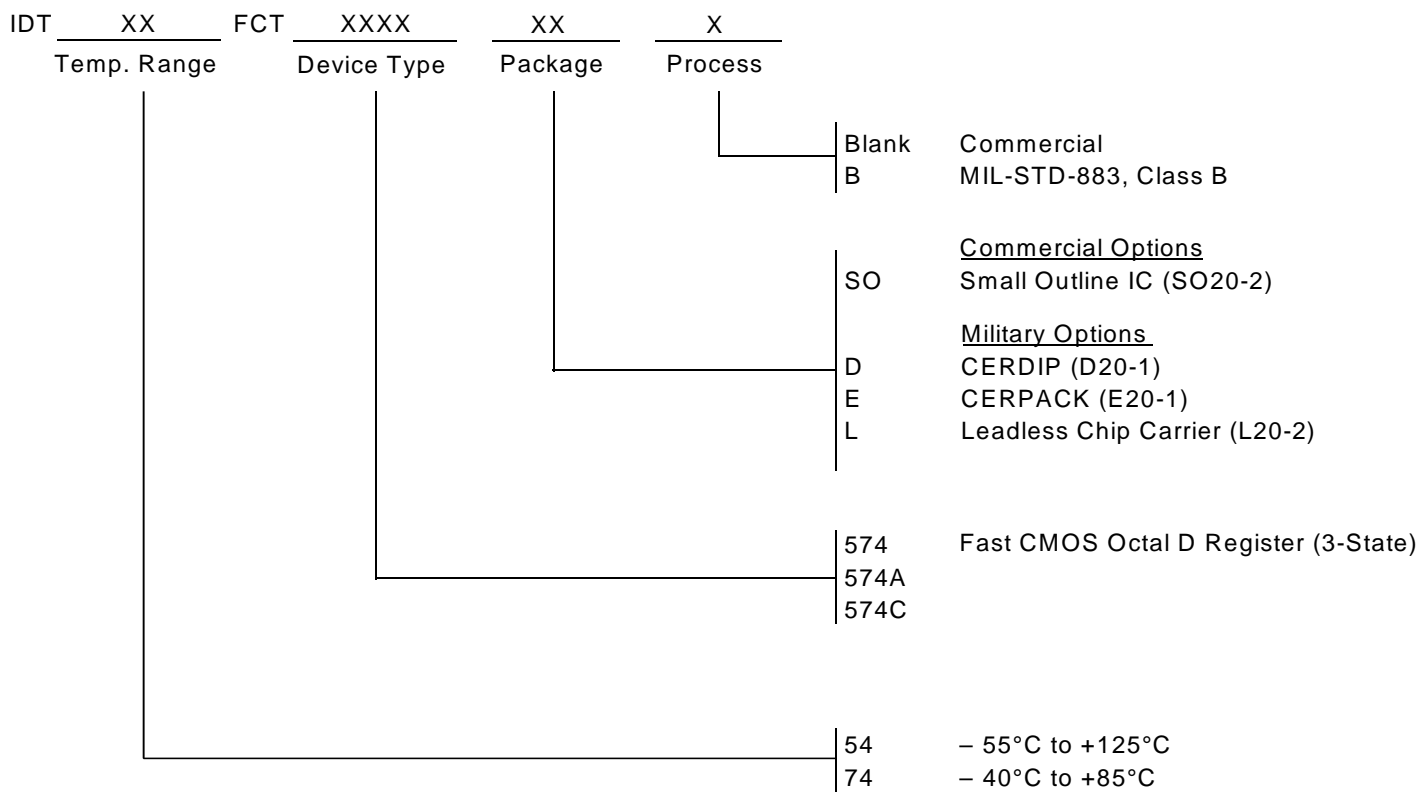
### ENABLE AND DISABLE TIMES



#### NOTES:

- Diagram shown for input Control Enable-LOW and input Control Disable-HIGH.
- Pulse Generator for All Pulses: Rate  $\leq 1.0\text{MHz}$ ;  $Z_o \leq 50\Omega$ ;  $t_f \leq 2.5\text{ns}$ ;  $t_r \leq 2.5\text{ns}$ .

**ORDERING INFORMATION**



**CORPORATE HEADQUARTERS**  
 2975 Stender Way  
 Santa Clara, CA 95054

**for SALES:**  
 800-345-7015 or 408-727-6116  
 fax: 408-492-8674  
 www.idt.com\*

\*To search for sales office near you, please click the sales button found on our home page or dial the 800# above and press 2.  
 The IDT logo is a registered trademark of Integrated Device Technology, Inc.