

SN74F161A SYNCHRONOUS 4-BIT BINARY COUNTER

SDFS056A – D2932, MARCH 1987 – REVISED OCTOBER 1993

- Internal Look-Ahead Circuitry for Fast Counting
- Carry Output for N-Bit Cascading
- Fully Synchronous Operation for Counting
- Package Options Include Plastic Small-Outline Packages and Standard Plastic 300-mil DIPs

description

This synchronous, presettable, 4-bit binary counter features an internal carry look-ahead circuitry for application in high-speed counting designs. Synchronous operation is provided by having all flip-flops clocked simultaneously so that the outputs change coincident with each other when so instructed by the count-enable (ENP, ENT) inputs and internal gating. This mode of operation eliminates the output counting spikes that are normally associated with asynchronous (ripple-clock) counters; however, counting spikes may occur on the ripple-carry (RCO) output. A buffered clock (CLK) input triggers the four flip-flops on the rising (positive-going) edge of the clock input waveform.

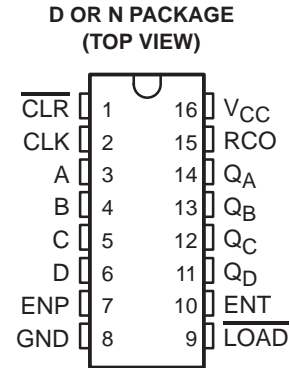
This counter is fully programmable; that is, it may be preset to any number between 0 and 15. As presetting is synchronous, setting up a low level at the load ($\overline{\text{LOAD}}$) input disables the counter and causes the outputs to agree with the setup data after the next clock pulse regardless of the levels of the enable inputs.

The clear function for the SN74F161A is asynchronous and a low level at the clear ($\overline{\text{CLR}}$) input sets all four of the flip-flop outputs low regardless of the levels of the clock, load, or enable inputs.

The carry look-ahead circuitry provides for cascading counters for n-bit synchronous applications without additional gating. Instrumental in accomplishing this function are two count-enable (ENP, ENT) inputs and a ripple-carry (RCO) output. Both ENP and ENT must be high to count, and ENT if fed forward to enable RCO. RCO thus enabled will produce a high-level pulse while the count is 15 (HHHH). The high-level overflow ripple-carry pulse can be used to enable successive cascaded stages. Transitions at ENP or ENT are allowed regardless of the level of the clock input.

The SN74F161A features a fully independent clock circuit. Changes at control inputs (ENP, ENT, or $\overline{\text{LOAD}}$) that will modify the operating mode have no effect on the contents of the counter until clocking occurs. The function of the counter (whether enabled, disabled, loading, or counting) will be dictated solely by the conditions meeting the setup and hold times.

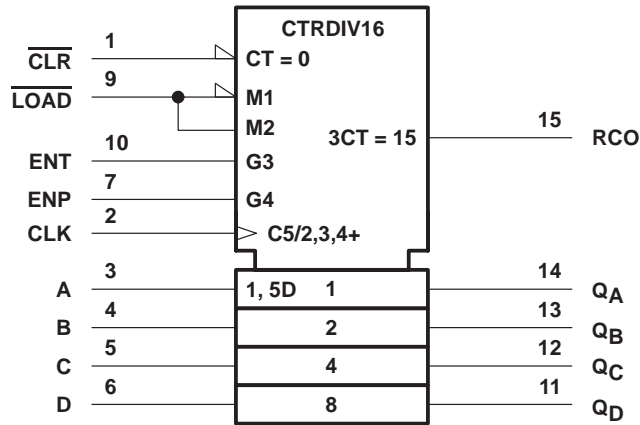
The SN74F161A is characterized for operation from 0°C to 70°C.



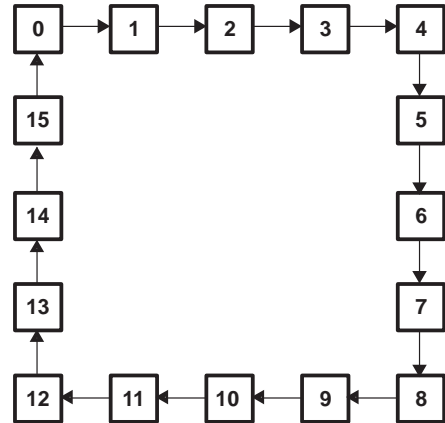
SN74F161A SYNCHRONOUS 4-BIT BINARY COUNTER

SDFS056A – D2932, MARCH 1987 – REVISED OCTOBER 1993

logic symbol†



state diagram

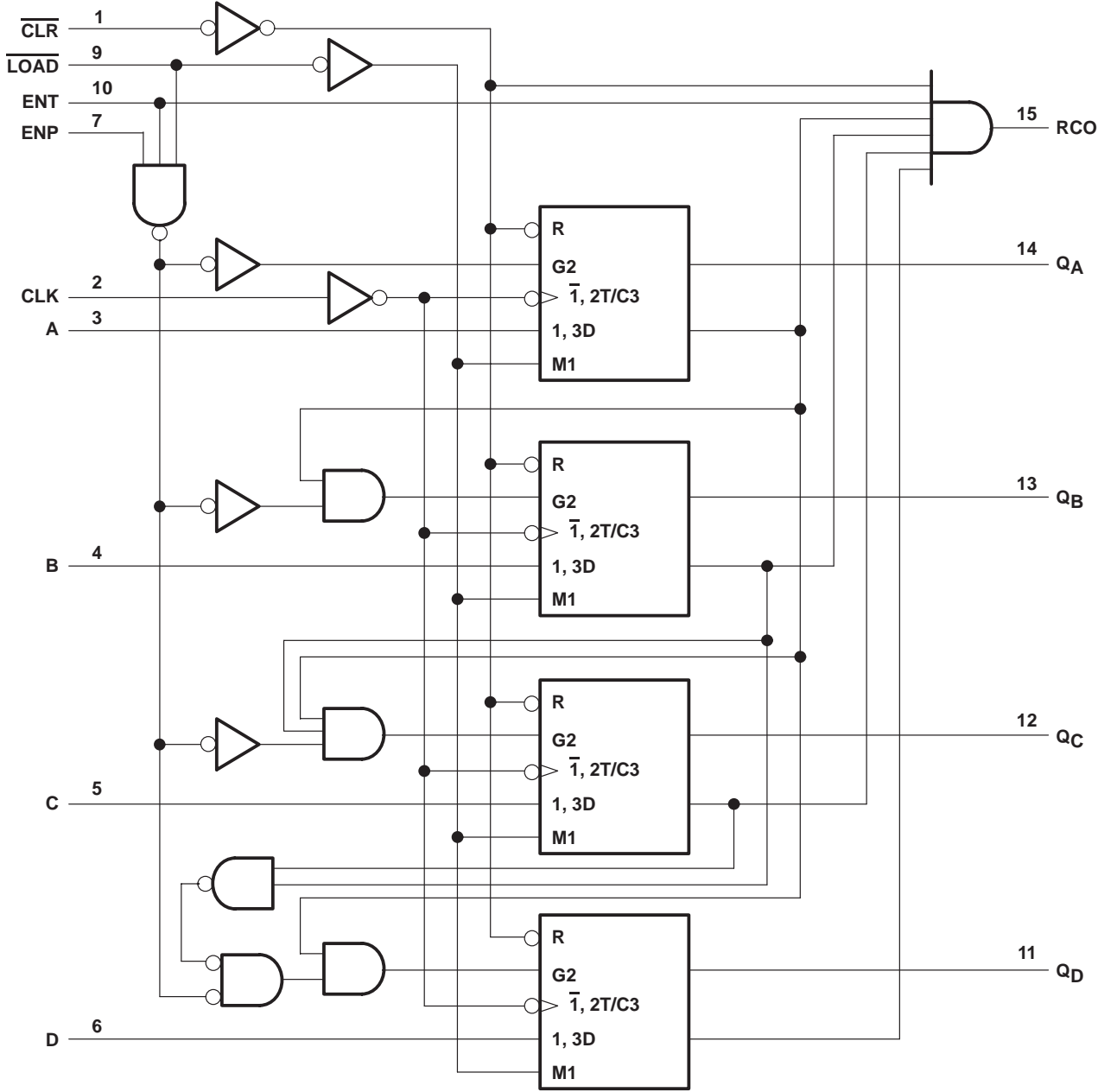


† This symbol is in accordance with ANSI/IEEE Std 91-1984 and IEC Publication 617-12.

SN74F161A SYNCHRONOUS 4-BIT BINARY COUNTER

SDFS056A – D2932, MARCH 1987 – REVISED OCTOBER 1993

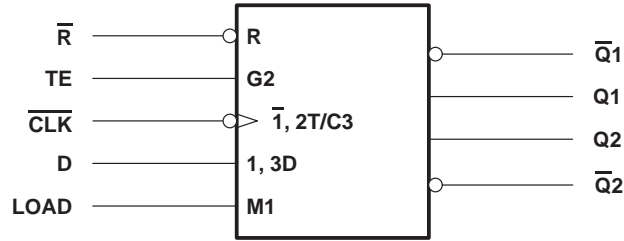
logic diagram (positive logic)



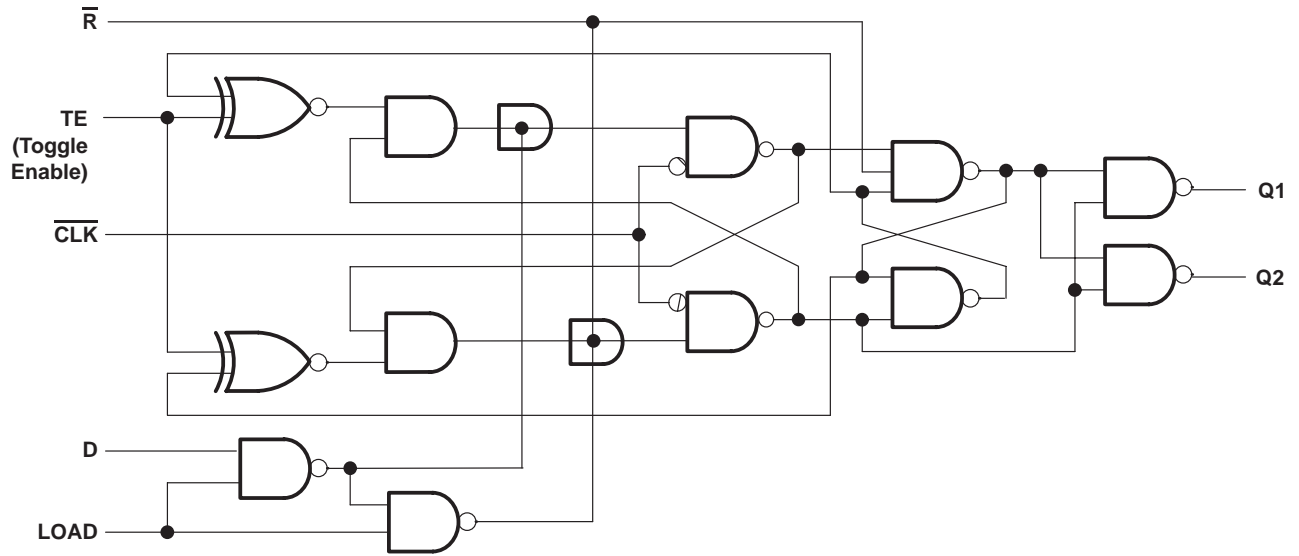
SN74F161A SYNCHRONOUS 4-BIT BINARY COUNTER

SDFS056A – D2932, MARCH 1987 – REVISED OCTOBER 1993

logic symbol, each flip-flop



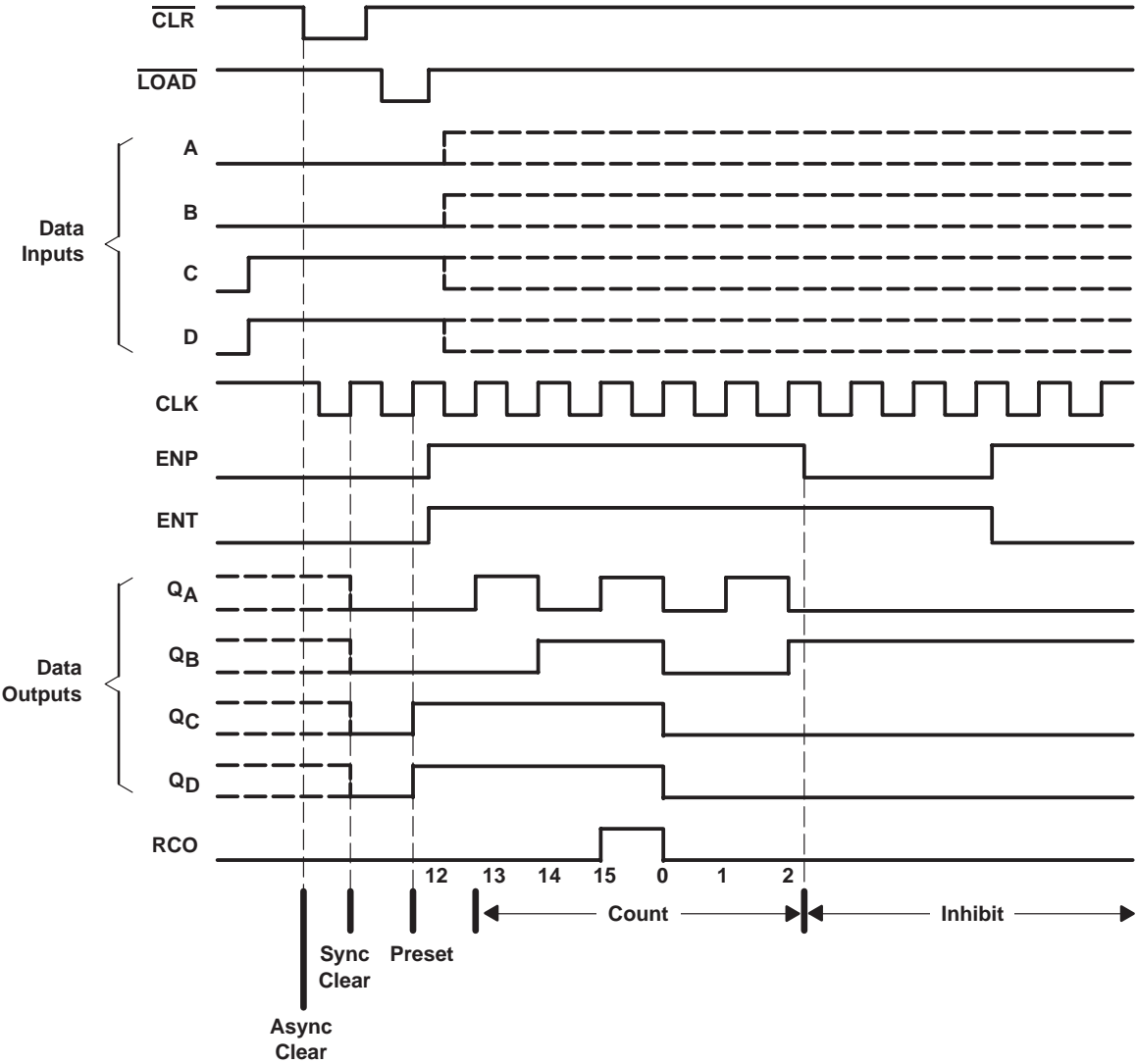
logic diagram, each flip-flop (positive logic)



typical clear, preset, count, and inhibit sequences

Illustrated below is the following sequence:

1. Clear outputs to zero
2. Preset to binary twelve
3. Count to thirteen, fourteen, fifteen, zero, one, and two
4. Inhibit



SN74F161A

SYNCHRONOUS 4-BIT BINARY COUNTER

SDFS056A – D2932, MARCH 1987 – REVISED OCTOBER 1993

absolute maximum ratings over operating free-air temperature range (unless otherwise noted)†

| | |
|---|--------------------|
| Supply voltage range, V_{CC} | –0.5 V to 7 V |
| Input voltage range, V_I (see Note 1) | –1.2 V to 7 V |
| Input current range | –30 mA to 5 mA |
| Voltage range applied to any output in the high state | –0.5 V to V_{CC} |
| Current into any output in the low state | 40 mA |
| Operating free-air temperature range | 0°C to 70°C |
| Storage temperature range | –65°C to 150°C |

† Stresses beyond those listed under “absolute maximum ratings” may cause permanent damage to the device. These are stress ratings only and functional operation of the device at these or any other conditions beyond those indicated under “recommended operating conditions” is not implied. Exposure to absolute-maximum-rated conditions for extended periods may affect device reliability.

NOTE 1: The input voltage ratings may be exceeded provided the input current ratings are observed.

recommended operating conditions

| | MIN | NOM | MAX | UNIT |
|--------------------------------------|-----|-----|-----|------|
| V_{CC} Supply voltage | 4.5 | 5 | 5.5 | V |
| V_{IH} High-level input voltage | 2 | | | V |
| V_{IL} Low-level input voltage | | | 0.8 | V |
| I_{IK} Input clamp current | | | –18 | mA |
| I_{OH} High-level output current | | | –1 | mA |
| I_{OL} Low-level output current | | | 20 | mA |
| T_A Operating free-air temperature | 0 | | 70 | °C |

electrical characteristics over recommended operating free-air temperature range (unless otherwise noted)

| PARAMETER | TEST CONDITIONS | MIN | TYP‡ | MAX | UNIT |
|-----------|-------------------------------------|---------------------------------|------|------|------|
| V_{IK} | $V_{CC} = 4.5$ V, $I_I = -18$ mA | | | –1.2 | V |
| V_{OH} | $V_{CC} = 4.5$ V, $I_{OH} = -1$ mA | 2.5 | 3.4 | | V |
| | $V_{CC} = 4.75$ V, $I_{OH} = -1$ mA | 2.7 | | | |
| V_{OL} | $V_{CC} = 4.5$ V, $I_{OL} = 20$ mA | | 0.3 | 0.5 | V |
| I_I | $V_{CC} = 5.5$ V, $V_I = 7$ V | | | 0.1 | mA |
| I_{IH} | $V_{CC} = 5.5$ V, $V_I = 2.7$ V | | | 20 | µA |
| I_{IL} | ENP, CLK, A, B, C, D | | | –0.6 | mA |
| | ENT, LOAD | $V_{CC} = 5.5$ V, $V_I = 0.5$ V | | –1.2 | |
| | CLR | | | –0.6 | |
| $I_{OS}§$ | $V_{CC} = 5.5$ V, $V_O = 0$ | –60 | | –150 | mA |
| I_{CC} | $V_{CC} = 5.5$ V | | 37 | 55 | mA |

‡ All typical values are at $V_{CC} = 5$ V, $T_A = 25$ °C.

§ Not more than one output should be shorted at a time, and the duration of the short circuit should not exceed one second.



SN74F161A

SYNCHRONOUS 4-BIT BINARY COUNTER

SDFS056A – D2932, MARCH 1987 – REVISED OCTOBER 1993

timing requirements over recommended ranges of supply voltage and operating free-air temperature (unless otherwise noted)

| | | | V _{CC} = 5 V, T _A = 25°C | | MIN | MAX | UNIT |
|--------------------|--|--------------------------------------|---|------------------------|-------------|------|------|
| | | | MIN | MAX | | | |
| f _{clock} | Clock frequency | | 0 | 100 | 0 | 90 | MHz |
| t _w | Pulse duration | CLK high or low (loading) | 5 | | 5 | | ns |
| | | CLK (counting) | High | 4 | | 4 | |
| | | | Low | 6 | | 7 | |
| | | $\overline{\text{CLR}}$ low | 5 | | 5 | | |
| t _{su} | Setup time | Data before CLK↑ | High or low | 5 | | 5 | ns |
| | | $\overline{\text{LOAD}}$ before CLK↑ | High | 11 | | 11.5 | |
| | | | Low | 8.5 | | 9.5 | |
| | | ENP and ENT before CLK↑ | High | 11 | | 11.5 | |
| Low | 5 | | | 5 | | | |
| t _h | Hold time | Data after CLK↑ | High or low | 2 | | 2 | ns |
| | | $\overline{\text{LOAD}}$ after CLK↑ | High | 2 | | 2 | |
| | | | Low | 0 | | 0 | |
| | | | | ENP and ENT after CLK↑ | High or low | 0 | |
| t _{su} | Inactive-state setup time, $\overline{\text{CLR}}$ high before CLK↑† | | 6 | | 6 | | ns |

† Inactive-state state setup time is also referred to as recovery time.

switching characteristics (see Note 2)

| PARAMETER | FROM (INPUT) | TO (OUTPUT) | V _{CC} = 5 V, C _L = 50 pF, R _L = 500 Ω, T _A = 25°C | | | V _{CC} = 4.5 V to 5.5 V, C _L = 50 pF, R _L = 500 Ω, T _A = MIN to MAX‡ | | UNIT |
|------------------|--------------------------------------|----------------|---|-----|------|---|------|------|
| | | | MIN | TYP | MAX | MIN | MAX | |
| f _{max} | | | 100 | 120 | | 90 | | MHz |
| t _{PLH} | CLK ($\overline{\text{LOAD}}$ high) | Any Q | 2.7 | 5.1 | 7.5 | 2.7 | 8.5 | ns |
| t _{PHL} | | | 2.7 | 7.1 | 10 | 2.7 | 11 | |
| t _{PLH} | CLK ($\overline{\text{LOAD}}$ low) | Any Q | 3.2 | 5.6 | 8.5 | 3.2 | 9.5 | ns |
| t _{PHL} | | | 3.2 | 5.6 | 8.5 | 3.2 | 9.5 | |
| t _{PLH} | CLK | RCO | 4.2 | 9.6 | 14 | 4.2 | 15 | ns |
| t _{PHL} | | | 4.2 | 9.6 | 14 | 4.2 | 15 | |
| t _{PLH} | ENT | RCO | 1.7 | 4.1 | 7.5 | 1.7 | 8.5 | ns |
| t _{PHL} | | | 1.7 | 4.1 | 7.5 | 1.7 | 8.5 | |
| t _{PHL} | $\overline{\text{CLR}}$ | Any Q | 4.7 | 8.6 | 12 | 4.7 | 13 | ns |
| | | RCO | 3.7 | 7.6 | 10.5 | 3.7 | 11.5 | |

‡ For conditions shown as MIN or MAX, use the appropriate value specified under recommended operating conditions.

NOTE 2: Load circuits and waveforms are shown in Section 1.

IMPORTANT NOTICE

Texas Instruments and its subsidiaries (TI) reserve the right to make changes to their products or to discontinue any product or service without notice, and advise customers to obtain the latest version of relevant information to verify, before placing orders, that information being relied on is current and complete. All products are sold subject to the terms and conditions of sale supplied at the time of order acknowledgement, including those pertaining to warranty, patent infringement, and limitation of liability.

TI warrants performance of its semiconductor products to the specifications applicable at the time of sale in accordance with TI's standard warranty. Testing and other quality control techniques are utilized to the extent TI deems necessary to support this warranty. Specific testing of all parameters of each device is not necessarily performed, except those mandated by government requirements.

CERTAIN APPLICATIONS USING SEMICONDUCTOR PRODUCTS MAY INVOLVE POTENTIAL RISKS OF DEATH, PERSONAL INJURY, OR SEVERE PROPERTY OR ENVIRONMENTAL DAMAGE ("CRITICAL APPLICATIONS"). TI SEMICONDUCTOR PRODUCTS ARE NOT DESIGNED, AUTHORIZED, OR WARRANTED TO BE SUITABLE FOR USE IN LIFE-SUPPORT DEVICES OR SYSTEMS OR OTHER CRITICAL APPLICATIONS. INCLUSION OF TI PRODUCTS IN SUCH APPLICATIONS IS UNDERSTOOD TO BE FULLY AT THE CUSTOMER'S RISK.

In order to minimize risks associated with the customer's applications, adequate design and operating safeguards must be provided by the customer to minimize inherent or procedural hazards.

TI assumes no liability for applications assistance or customer product design. TI does not warrant or represent that any license, either express or implied, is granted under any patent right, copyright, mask work right, or other intellectual property right of TI covering or relating to any combination, machine, or process in which such semiconductor products or services might be or are used. TI's publication of information regarding any third party's products or services does not constitute TI's approval, warranty or endorsement thereof.