

74F114 Dual JK Negative Edge-Triggered Flip-Flop with Common Clocks and Clears

General Description

The 74F114 contains two high-speed JK flip-flops with common Clock and Clear inputs. Synchronous state changes are initiated by the falling edge of the clock. Triggering occurs at a voltage level of the clock and is not directly related to the transition time. The J and K inputs can change when the clock is in either state without affecting the flip-flop, provided that they are in the desired state during the recommended setup and hold times relative to the falling edge of the clock. A LOW signal on \bar{S}_D or \bar{C}_D prevents clocking and forces Q or \bar{Q} HIGH, respectively.

Simultaneous LOW signals on \bar{S}_D and \bar{C}_D force both Q and \bar{Q} HIGH.

Asynchronous Inputs:

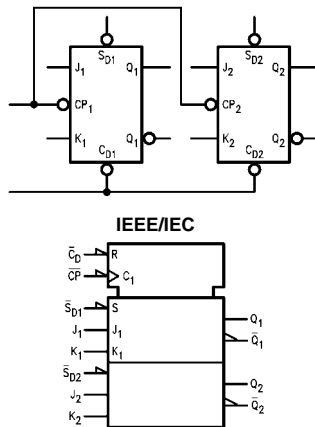
- LOW input to \bar{S}_D sets Q to HIGH level
- LOW input to \bar{C}_D sets Q to LOW level
- Clear and Set are independent of Clock
- Simultaneous LOW on \bar{C}_D and \bar{S}_D
makes both Q and \bar{Q} HIGH

Ordering Code:

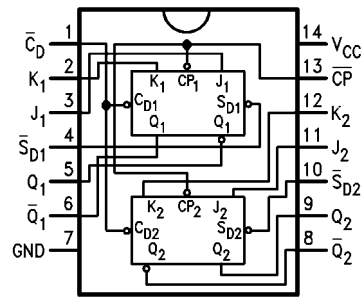
| Order Number | Package Number | Package Description |
|--------------|----------------|---|
| 74F114SC | M14A | 14-Lead Small Outline Integrated Circuit (SOIC), JEDEC MS-120, 0.150 Narrow |
| 74F114PC | N14A | 14-Lead Plastic Dual-In-Line Package (PDIP), JEDEC MS-001, 0.300 Wide |

Devices also available in Tape and Reel. Specify by appending the suffix letter "X" to the ordering code.

Logic Symbols



Connection Diagram



Unit Loading/Fan Out

| Pin Names | Description | U.L. HIGH/LOW | Input I_{IH}/I_{IL} Output I_{OH}/I_{OL} |
|--|---|------------------|---|
| J_1, J_2, K_1, K_2 | Data Inputs | 1.0/1.0 | 20 μ A/-0.6 mA |
| \overline{CP} | Clock Pulse Input (Active Falling Edge) | 1.0/8.0 | 20 μ A/-4.8 mA |
| \overline{CD} | Direct Clear Input (Active LOW) | 1.0/10.0 | 20 μ A/-6.0 mA |
| $\overline{SD}_1, \overline{SD}_2$ | Direct Set Inputs (Active LOW) | 1.0/5.0 | 20 μ A/-3.0 mA |
| $Q_1, Q_2, \overline{Q}_1, \overline{Q}_2$ | Outputs | 50/33.3 | -1 mA/20 mA |

Truth Table

| Inputs | | | | | Outputs | |
|-----------------|-----------------|-----------------|---|---|------------------|------------------|
| \overline{SD} | \overline{CD} | \overline{CP} | J | K | Q | \overline{Q} |
| L | H | X | X | X | H | L |
| H | L | X | X | X | L | H |
| L | L | X | X | X | H | H |
| H | H | \sim | h | h | \overline{Q}_0 | Q_0 |
| H | H | \sim | l | h | L | H |
| H | H | \sim | h | l | H | L |
| H | H | \sim | l | l | Q_0 | \overline{Q}_0 |

H (h) = HIGH Voltage Level

L (l) = LOW Voltage Level

X = Immaterial

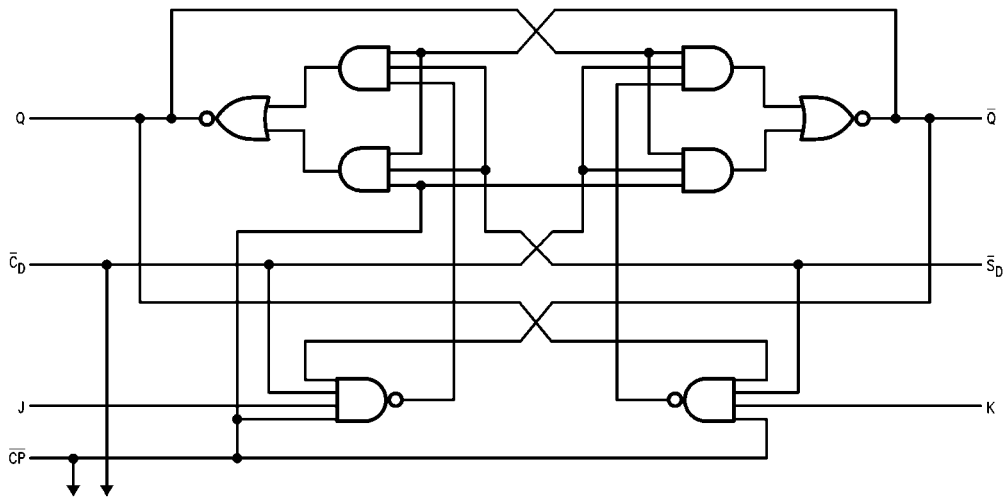
\sim = HIGH-to-LOW Clock Transition

Q_0 (\overline{Q}_0) = Before HIGH-to-LOW Transition of Clock

Lower case letters indicate the state of the referenced input or output one setup time prior to the HIGH-to-LOW clock transition.

Logic Diagram

(one half shown)



Please note that this diagram is provided only for the understanding of logic operations and should not be used to estimate propagation delays.

Absolute Maximum Ratings(Note 1)

| | |
|---|-------------------|
| Storage Temperature | -65°C to +150°C |
| Ambient Temperature under Bias | -55°C to +125°C |
| Junction Temperature under Bias | -55°C to +150°C |
| V _{CC} Pin Potential to Ground Pin | -0.5V to +7.0V |
| Input Voltage (Note 2) | -0.5V to +7.0V |
| Input Current (Note 2) | -30 mA to +5.0 mA |

Voltage Applied to Output

in HIGH State (with V_{CC} = 0V)Standard Output -0.5V to V_{CC}

3-STATE Output -0.5V to +5.5V

Current Applied to Output

in LOW State (Max) twice the rated I_{OL} (mA)**Recommended Operating Conditions**

| | |
|------------------------------|----------------|
| Free Air Ambient Temperature | 0°C to +70°C |
| Supply Voltage | +4.5V to +5.5V |

Note 1: Absolute maximum ratings are values beyond which the device may be damaged or have its useful life impaired. Functional operation under these conditions is not implied.

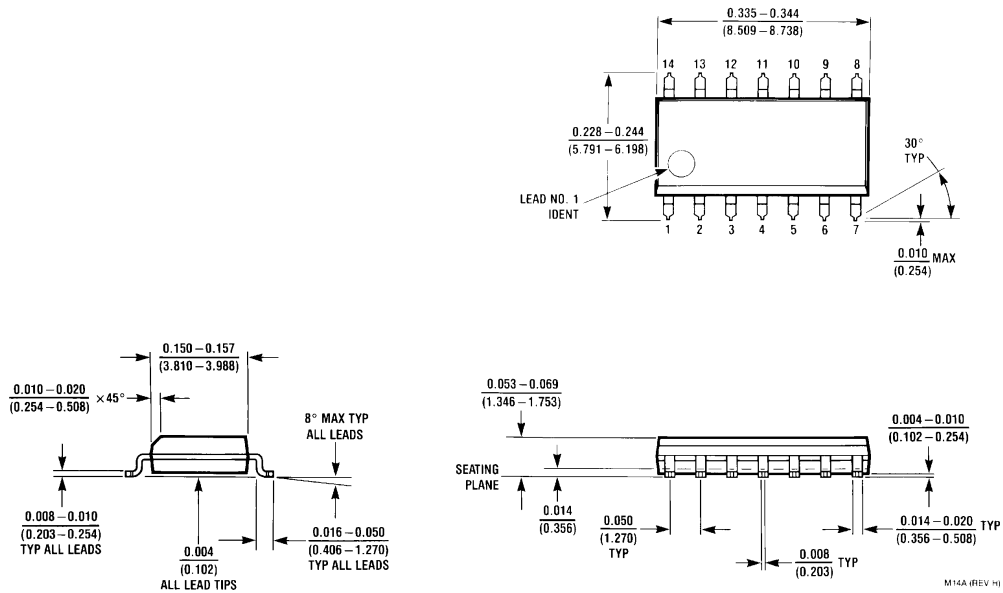
Note 2: Either voltage limit or current limit is sufficient to protect inputs.

DC Electrical Characteristics

| Symbol | Parameter | Min | Typ | Max | Units | V _{CC} | Conditions |
|------------------|-----------------------------------|---------------------|------|------|-------|-----------------|---|
| V _{IH} | Input HIGH Voltage | 2.0 | | | V | | Recognized as a HIGH Signal |
| V _{IL} | Input LOW Voltage | | | 0.8 | V | | Recognized as a LOW Signal |
| V _{CD} | Input Clamp Diode Voltage | | | -1.2 | V | Min | I _{IN} = -18 mA |
| V _{OH} | Output HIGH Voltage | 10% V _{CC} | 2.5 | | V | Min | I _{OH} = -1 mA |
| | | 5% V _{CC} | 2.7 | | | | I _{OH} = -1 mA |
| V _{OL} | Output LOW Voltage | | | 0.5 | V | Min | I _{OL} = 20 mA |
| I _{IH} | Input HIGH Current | | | 5.0 | μA | Max | V _{IN} = 2.7V |
| I _{BVI} | Input HIGH Current Breakdown Test | | | 7.0 | μA | Max | V _{IN} = 7.0V |
| I _{CEX} | Output High Leakage Current | | | 50 | μA | Max | V _{OUT} = V _{CC} |
| V _{ID} | Input Leakage Test | 4.75 | | | V | 0.0 | I _{ID} = 1.9 μA All Other Pins Grounded |
| I _{OD} | Output Leakage Circuit Current | | | 3.75 | μA | 0.0 | V _{IOD} = 150 mV All Other Pins Grounded |
| I _{IL} | Input LOW Current | | | -0.6 | mA | Max | V _{IN} = 0.5V (J _n , K _n) |
| | | | | -3.0 | | | V _{IN} = 0.5V (\overline{S}_{Dn}) |
| | | | | -4.8 | | | V _{IN} = 0.5V (C \overline{P}) |
| | | | | -6.0 | | | V _{IN} = 0.5V (\overline{C}_{Dn}) |
| I _{OS} | Output Short-Circuit Current | -60 | | -150 | mA | Max | V _{OUT} = 0V |
| I _{CCH} | Power Supply Current | | 12.0 | 19.0 | mA | Max | V _O = HIGH |
| I _{CCL} | Power Supply Current | | 12.0 | 19.0 | mA | Max | V _O = LOW |

| AC Electrical Characteristics | | | | | | | |
|-------------------------------|--|---|-----|--|--|-------|-------|
| Symbol | Parameter | T _A = +25°C V _{CC} = +5.0V C _L = 50 pF | | | T _A = 0°C to +70°C V _{CC} = +5.0V C _L = 50 pF | | Units |
| | | Min | Typ | Max | Min | Max | |
| f _{MAX} | Maximum Clock Frequency | 75 | 95 | | 70 | | MHz |
| t _{PLH} | Propagation Delay | 3.0 | 5.0 | 6.5 | 3.0 | 7.5 | ns |
| t _{PHL} | \overline{CP} to Q _n or \overline{Q}_n | 3.0 | 5.5 | 7.5 | 3.0 | 8.5 | |
| t _{PLH} | Propagation Delay | 3.0 | 4.5 | 6.5 | 3.0 | 7.5 | ns |
| t _{PHL} | \overline{C}_{Dn} or \overline{S}_{Dn} to Q _n or \overline{Q}_n | 3.0 | 4.5 | 6.5 | 3.0 | 7.5 | |
| AC Operating Requirements | | | | | | | |
| Symbol | Parameter | T _A = +25°C V _{CC} = +5.0V | | T _A = 0°C to +70°C V _{CC} = +5.0V | | Units | |
| | | Min | Max | Min | Max | | |
| t _S (H) | Setup Time, HIGH or LOW | 4.0 | | 5.0 | | ns | |
| t _S (L) | J _n or K _n to \overline{CP} | 3.0 | | 3.5 | | | |
| t _H (H) | Hold Time, HIGH or LOW | 0 | | 0 | | ns | |
| t _H (L) | J _n or K _n to \overline{CP} | 0 | | 0 | | | |
| t _W (H) | \overline{CP} Pulse Width | 4.5 | | 5.0 | | ns | |
| t _W (L) | HIGH or LOW | 4.5 | | 5.0 | | | |
| t _W (L) | \overline{C}_{Dn} or \overline{S}_{Dn} Pulse Width, LOW | 4.5 | | 5.0 | | ns | |
| t _{REC} | Recovery Time \overline{S}_{Dn} , \overline{C}_{Dn} , to \overline{CP} | 4.0 | | 5.0 | | ns | |

Physical Dimensions inches (millimeters) unless otherwise noted



14-Lead Small Outline Integrated Circuit (SOIC), JEDEC MS-120, 0.150 Narrow Package Number M14A

M14A (REV H)

Physical Dimensions inches (millimeters) unless otherwise noted (Continued)



Fairchild does not assume any responsibility for use of any circuitry described, no circuit patent licenses are implied and Fairchild reserves the right at any time without notice to change said circuitry and specifications.

LIFE SUPPORT POLICY

FAIRCHILD'S PRODUCTS ARE NOT AUTHORIZED FOR USE AS CRITICAL COMPONENTS IN LIFE SUPPORT DEVICES OR SYSTEMS WITHOUT THE EXPRESS WRITTEN APPROVAL OF THE PRESIDENT OF FAIRCHILD SEMICONDUCTOR CORPORATION. As used herein:

1. Life support devices or systems are devices or systems which, (a) are intended for surgical implant into the body, or (b) support or sustain life, and (c) whose failure to perform when properly used in accordance with instructions for use provided in the labeling, can be reasonably expected to result in a significant injury to the user.
2. A critical component in any component of a life support device or system whose failure to perform can be reasonably expected to cause the failure of the life support device or system, or to affect its safety or effectiveness.

www.fairchildsemi.com